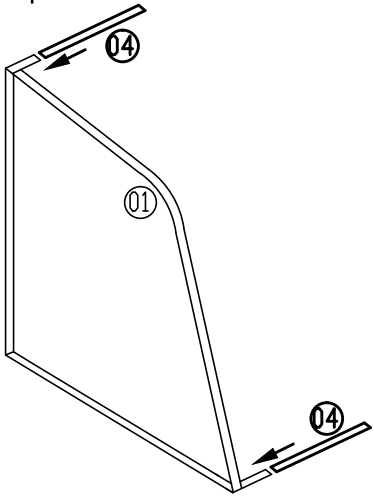
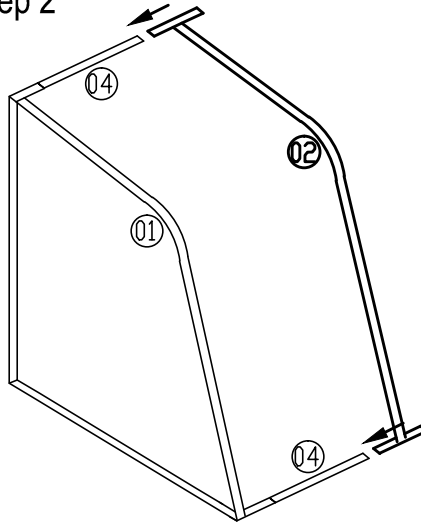


# Instruction

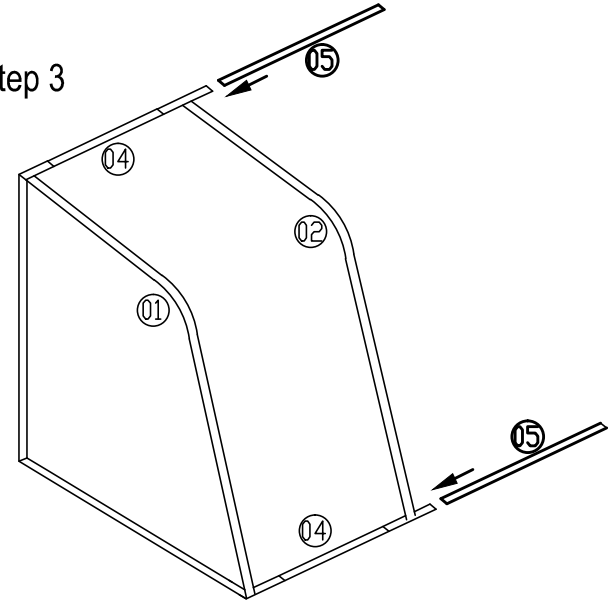
Step 1



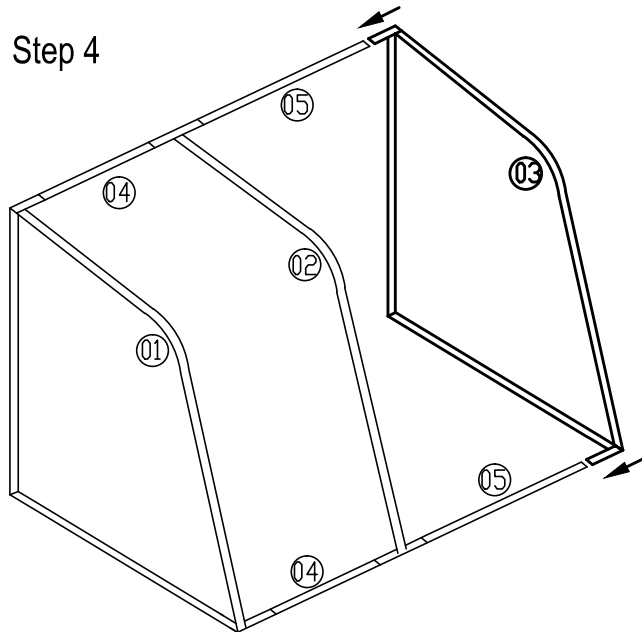
Step 2



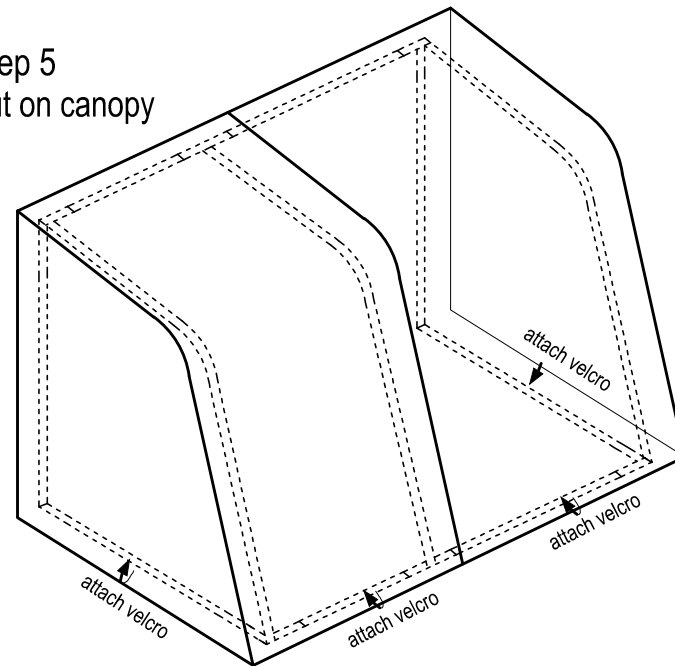
Step 3



Step 4



Step 5  
Put on canopy



01	$\phi 16 * 0.8 * 820$	1
	$\phi 16 * 0.8 * 485$	1
	$\phi 16 * 0.8 * 485$	1
02	$\phi 16 * 0.8 * 820$	1
	$\phi 16 * 0.8 * 64$	1
03	$\phi 16 * 0.8 * 820$	1
	$\phi 16 * 0.8 * 485$	1
	$\phi 16 * 0.8 * 485$	1
04	$\phi 16 * 0.8 * 265$	2
05	$\phi 16 * 0.8 * 320$	2