



2026

CAMPTECH
CATALOGUE
WWW.CAMPTECH.COM
HOME IS WITH YOU, WHEREVER THAT MAY BE



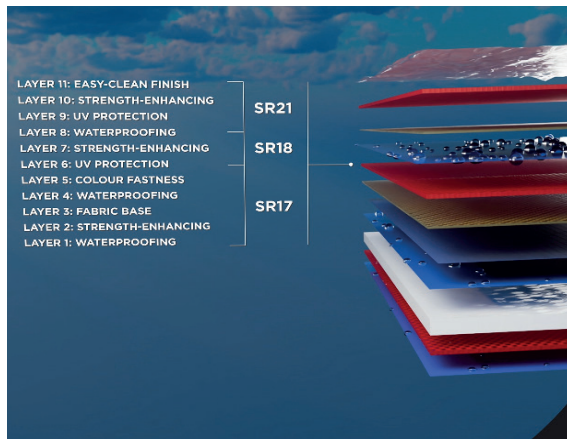
A Message From Our Director

At Camptech, everything we do is driven by a simple belief: your time outdoors should feel effortless, comfortable, and truly yours.

From day one, our focus has been on creating products that combine innovation, durability, and thoughtful design—enhancing life on the road, whether through caravans, motorhomes, campervans, or cars. We understand that your awning becomes part of your home, and that responsibility is something we take seriously.

I've always believed in pushing forward. Never standing still, always improving, and constantly challenging ourselves to raise the standard. That drive is at the heart of Camptech and is reflected in everything we do, from product development to the way we support our customers. With our continued growth and expansion into Europe, we remain focused on delivering quality, reliability, and innovation without compromise. But beyond the products, Camptech is about people. It's about helping you create a space that feels like home, wherever your journey takes you, because home is with you, wherever that may be.

Akash Parmar
Camptech Products Limited Director



Our Snapshot Series

In 2025, we unveiled our Snapshot Series—a closer look at what truly sets us apart. From design to durability, our team created these videos to highlight what really matters when choosing the perfect awning.

Our brand-new 3D video takes you inside our materials, showing exactly what goes into the layers of some of our most trusted Camptech products.

For us, it's not just about the products—it's about passion, precision, and guiding you through your awning journey, every step of the way.

Watch the full video on our socials, at Camptech.com or through any of our dealership websites.

CONTENTS

CARAVAN AWNINGS

WESTMINSTER CS	4-5
BUCKINGHAM DL	6-7
MAYFAIR DL	8-9
ATLANTIS DL	10-11
SAVANNA DL	12-13
CAYMAN	14-15
HAMPTON DL	16-17
KENSINGTON	18-19
COUNT DL	20
DUKE DL	21
COUNTESS	22
DUCHESS	23
PRINCE DL	24-25
PRINCESS DL	26
STARLINE	27
STARLINE ELITE	28-29

MOTORHOME/CAMPERVAN AWNINGS

MOTO WINDSOR	30
MOTO CROWN ELITE	31
MOTO CROWN	32
MOTO MONARCH	33
MOTO CANTERBURY	34
MOTO GALA	35
MOTO TUDOR	36
MOTO KINGSTON	37

ROLL OUT & SUNSHADES

IVY / IVY ELITE	38-39
SUSSEX / HASTINGS	40

UTILITY TENT/WINDBREAKS

ASCOT	41
CARNIVAL WINDBREAK	42
BOSWORTH WINDBREAK	43

CARS

QUEENSLAND	44-45
ADELAIDE	46-47

SPECIALISED AWNINGS

ARCHDUKE DL [MADE FOR SPORT & FUN]	48
MAJESTIC [MADE FOR ERIBA & BAREFOOT]	49

ANNEXES & INNER TENTS	50
-----------------------	----

ACCESSORIES	52
-------------	----



Seasonal Awning



Griplock Clamp



Clima-Shield Pro



Clima-Tech SR21



Unilok Pads



Techline Buckle



Caravan

WESTMINSTER CS



The new Camptech Westminster CS is a premium full awning designed for year-round caravanning. Combining durability, practicality, and modern styling, it provides a generous living space and reliable protection.

Crafted with Clima-Tech SR21 all-season coated polyester for the roof and Clima-Shield Pro breathable fabric for the walls, the Westminster CS offers excellent weather resistance and a sleek anthracite and grey design. Its 25–28mm steel frame provides long-lasting strength and stability.

With a depth of 240 cm and sizes ranging from 12–21, multiple entrances and ventilation points keep the awning light, airy and comfortable. Curtains, internal and external mudwalls, and external blinds enhance privacy and security, while removable panels create a sun canopy effect making this awning a stylish, durable choice for all-seasons.



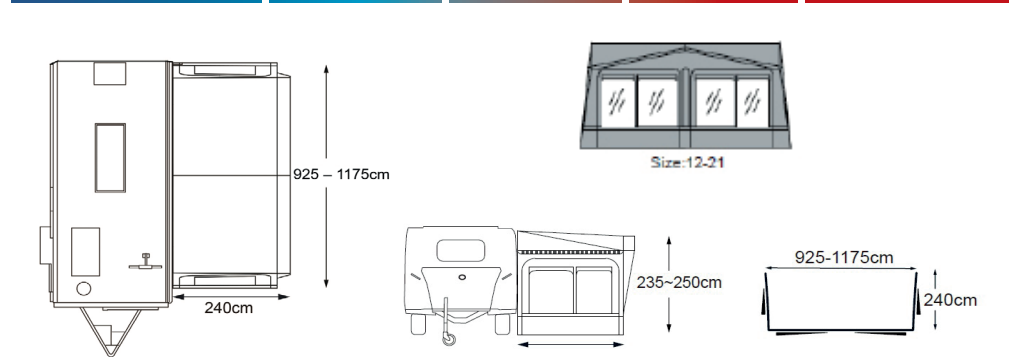
SPECIFICATIONS

Size	Available in sizes 12 to 21
Depth	240 cm
Colour	Anthracite / Light Grey
Roof Material	Clima-Tech SR21 All-season Coated Polyester
Wall Material	Clima-Shield Pro All-season Coated Polyacrylic
Front Layout	All sizes feature 4 front windows
Weight	57kg approx. (Size 12 Canvas (33.5kg) & Frame (23.5kg) Combined)
Frame	25/28mm Steel Frame fitted with Griplock Clamps
	Size 12 - 13 - 5 Roof Poles/2 Roof Raisers/3 Front Legs
	Size 14 - 16 - 5 Roof Poles/2 Roof Raisers/5 Front Legs
	Size 17 - 19 - 5 Roof Poles/2 Roof Raisers/5 Front Legs
	Size 20 - 21 - 7 Roof Poles/2 Roof Raisers/5 Front Legs

FEATURES INCLUDED

Ladders Inside For Pole Adjustment	Draft Skirt & Wheel Arch Cover
Full Flyscreens On Either Side	Canvas Holdall Bag
Centre, Side & Window Ventilation	Curtains
4 Entrance Points	Nylon Pegs & Peg Bag
Techline Secure Buckles	Frame Bag
Techline/YKK Zips	Ladder Bands
Figure Of 8	Unilok Bracket Pads

DIMENSIONS



OPTIONAL EXTRAS

SL5301	Westminster CS Front Canopy	SL530-B	Storm Leg 25/28mm
SL5304	Westminster CS Front Canopy Side (Singular)	SL529-C	Roof Rafter Poles 22/25mm
SL9001	Westminster CS Tall Annexe	SL529-D	Roof Rafter Poles 25/28mm
IT091	Tall Annexe Inner Tent		Regal Carpet
SL500	Techline Secure Straps		Roof Liner
SL580	Techline Secure Plus Strap	SL539	Unilok Bracket Pads x3
IT018	Awning Inner Tent	SP2123	Griplock Clamp 25/28mm
SL528	Protech Roof Raiser Pole	1093/1094/1095	Nova Lights
SL527	Veranda Pole	1098/1099/1100	Capella Motion Sensor Lights
SL530	Storm Leg 22/25mm	1114/1115/1116	Estella Multipurpose Guyrope Lights



**IMAGE SHOWN INCLUDES OPTIONAL EXTRAS
SL5301 WESTMINSTER FRONT CANOPY & SL5304 WESTMINSTER FRONT CANOPY SIDE**



Seasonal Awning



Griplock Clamp



Clima-Tech SR21



Unilok Pads



Techline Buckle



Caravan

BUCKINGHAM DL



The Buckingham is our premier all-season awning, crafted from high-quality SR21 Clima-Tech seasonal material.

The panoramic windows and 3 m depth provide a roomy open atmosphere, maximizing your living space. Standard privacy blinds are included, and the front windows can be rolled back to create extra-wide entrances.

Additionally, all front and side panels are removable, simplifying the setup and increasing versatility. The Buckingham ensures comfort and versatility year-round.

The robust construction withstands various weather conditions and with its sleek design, it also offers practical features like excellent ventilation and easy access.



SPECIFICATIONS

Size	Available in sizes 10 to 21
Depth	300 cm
Colour	Anthracite / Light Grey
Roof Material	Clima-Tech SR21 All-season Coated Polyester
Wall Material	Clima-Tech SR21 All-season Coated Polyester
Front Layout	All sizes feature 4 front windows
Weight	60kg approx. (Size 14 Canvas (32.5kg) & Frame (27.5kg) Combined)
Frame	25/28mm Steel Frame fitted with Griplock Clamps Size 10 - 3 Roof Poles/3 Front Legs Size 11 - 13 - 5 Roof Poles/2 Roof Raisers/3 Front Legs Size 14 - 16 - 5 Roof Poles/2 Roof Raisers/5 Front Legs Size 17 - 19 - 5 Roof Poles/2 Roof Raisers/5 Front Legs Size 20 - 21 - 7 Roof Poles/2 Roof Raisers/5 Front Legs

FEATURES INCLUDED

Privacy Blinds	Canvas Holdall Bag
Half Flyscreen Ventilation On both sides	Curtains
4 Wide Doors	Nylon Pegs & Peg Bag
Techline Secure Buckles	Frame Bag
Techline/YKK Zips	Ladder Bands
Figure Of 8	Unilok Bracket Pads
Draft Skirt & Wheel Arch Cover	

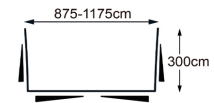
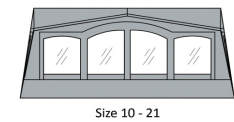
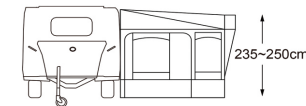
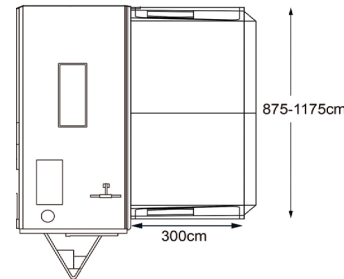
DIMENSIONS

SIZE 10 - 21

875 - 1175cm

300cm (D)

SEASONAL



OPTIONAL EXTRAS

SL500	Techline Secure Straps	SL529-D	Roof Rafter Poles 25/28mm
SL580	Techline Secure Plus Strap	SL595V	Roof Liner
SL528	Protech Roof Raiser Pole	SL539	Unilok Bracket Pads x3
SL527	Veranda Pole	SP2123	25/28mm Griplock Clamp
SL944-KB	Tall Annexe With Blinds	IT018	Awning Inner Tent
IT091	Tall Annexe Inner Tent	1093/1094/1095	Nova Lights
	Regal Carpet	1098/1099/1100	Capella Motion Sensor Lights
SL530	Storm Leg 22/25mm	1114/1115/1116	Estella Multipurpose Guyrope Lights
SL530-B	Storm Leg 25/28mm		
SL529-C	Roof Rafter Poles 22/25mm		





Seasonal Awning



Griplock Clamp



Clima-Tech SR18



Unilok Pads



Techline Buckle



Caravan

MAYFAIR DL



The Mayfair DL is an outstanding option for caravanners seeking a seasonal awning.

Available in sizes 6 to 19, it features a generous 270 cm depth and is crafted from easy-to-clean, all-season Clima-Tech SR18 material, making it ideal for seasonal camping. The sturdy 25/28 mm steel frame ensures long-lasting durability, complete with Camptech Griplock clamps and Unilok Pads.

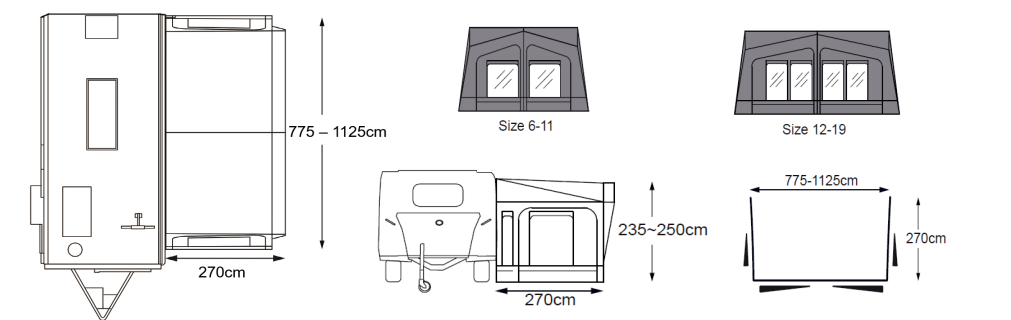
Additional features include YKK/Techline zips, ventilation points along the extended depth with central and half-mesh window ventilation to both sides, curtains and fitted external privacy blinds, as well as fully detachable panels for added flexibility.



SPECIFICATIONS

Size	Available in sizes 6 to 19
Depth	270 cm
Colour	Anthracite / Light Grey
Roof Material	Clima-Tech SR18 All-season Coated Polyester
Wall Material	Clima-Tech SR18 All-season Coated Polyester
Front Layout	Sizes 6 to 11 feature 2 front windows Sizes 12 to 19 feature 4 front windows
Weight	48kg approx. (Size 14 Canvas (28kg) & Frame (20kg) Combined)
Frame	25/28mm Steel Frame fitted with Griplock Clamps

DIMENSIONS



FEATURES INCLUDED

Half Screen Ventilation On Each Panel	Unilok Bracket Pads
Techline Secure Buckles	
Techline/YKK Zips	
Figure of 8	
Draft Skirt & Wheel Arch Cover	
Canvas Holdall Bag	
Curtains	
Nylon Pegs & Peg Bag	
Frame Bag	
Ladder Bands	

OPTIONAL EXTRAS

SL944-KB	Tall Annexe with Blinds	SL530	Storm Leg 22/25mm
IT091	Tall Annexe Inner Tent	SL530-B	Storm Leg 25/28mm
SL500	Techline Secure Straps	SL539	Unilok Bracket Pads x3
SL580	Techline Secure Plus Strap	SP2123	25/28mm Griplock Clamp
SL528	Protech Roof Raiser Pole	IT018	Awning Inner Tent
SL527	Veranda Pole	1093/1094/1095	Nova Lights
	Regal Carpet	1098/1099/1100	Capella Motion Sensor Lights
SL529-C	Roof Rafter Poles 22/25mm	1114/1115/1116	Estella Multipurpose Guyrope Lights
SL529-D	Roof Rafter Poles 25/28mm		
SL605V	Roof Liner		





Seasonal Awning



Griplock Clamp



Clima-Tech SR21



Unilok Pads



Techline Buckle



Caravan

ATLANTIS DL



The Camptech Atlantis DL is specifically designed for seasonal pitch camping.

Crafted from Clima-Tech premium SR21 material, the roof and walls feature a robust steel frame measuring 22/25mm, complete with Camptech Griplock clamps and Unilok Pads.

It boasts large windows, roll-back front panels, and fly screen ventilation on both side panels and the apex, ensuring a constant flow of fresh air throughout the awning. Additionally, curtains and external blinds provide privacy and enhanced security. All panels are removable, creating a sun canopy effect and making this awning a highly appealing and durable option for all-seasons.



SPECIFICATIONS

Size	Available in sizes 9 to 22
Depth	240 cm
Colour	Anthracite / Light Grey
Roof Material	Clima-Tech SR21 All-season Coated Polyester
Wall Material	Clima-Tech SR21 All-season Coated Polyester
Front Layout	All sizes feature 4 front windows
Weight	50kg approx. (Size 14 Canvas (29.5kg) & Frame (20kg) Combined)
Frame	22/25mm Steel Frame fitted with Griplock Clamps Sizes 11-22 - 5 Roof Poles Sizes 14-22 - 5 Front Legs Sizes 20-22 - 2 Roof Raiser Poles

FEATURES INCLUDED

Privacy Blinds	Draft Skirt & Wheel Arch Cover
Half Flyscreen	Canvas Holdall Bag
Ventilation On both sides	Frame Bag
4 Wide Doors	Curtains
Techline Secure Buckles	Nylon Pegs & Peg Bag
Techline/YKK Zips	Ladder Bands
Figure Of 8	Unilok Bracket Pads

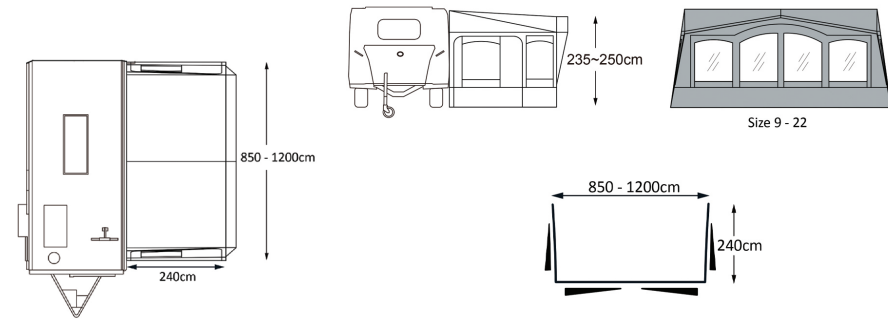
DIMENSIONS

SIZE 9 - 22

850 - 1200cm

240 cm (D)

SEASONAL



OPTIONAL EXTRAS

SL5055-F/F	Fibre Frame (Touring Only)	SL530	Storm Legs
SL500	Techline Secure Straps	IT018	Awning Inner Tent
SL580	Techline Secure Plus Strap	1093/1094/1095	Nova Lights
SL528	Protech Roof Raiser Pole	1098/1099/1100	Capella Motion Sensor Lights
SL527	Veranda Pole	1114/1115/1116	Estella Multipurpose Guyrope Lights
SL944-KB	Tall Annexe with Blinds		
IT091	Tall Annexe Inner Tent		
	Regal Carpet		
SL529-C	Roof Rafter Poles		
SL591/3V	Roof Liner		





Seasonal Awning



Griplock Clamp



Clima-Tech SR18



Unilok Pads



Techline Buckle



Caravan

SAVANNA DL



The Savanna DL is an outstanding option for caravanners seeking a robust and well-designed setup.

Available in sizes 6 to 22, it is crafted from easy-to-clean, all-season Clima-Tech SR18 material, making it ideal for long term, seasonal camping.

The sturdy steel frame, measuring 22/25mm, ensures durability, complete with Camptech Griplock clamps and Unilok Pads. Additional features include smooth zippers, ventilation points, curtains, privacy blinds, and fully detachable panels.

You also have the option to secure it with our Techline Secure Straps or add an annexe for extra space.



SPECIFICATIONS

Size	Available in sizes 6 to 22
Depth	240 cm
Colour	Anthracite / Light Grey
Roof Material	Clima-Tech SR18 All-season Coated Polyester
Wall Material	Clima-Tech SR18 All-season Coated Polyester
Front Layout	Sizes 6 to 11 feature 2 front windows Sizes 12 to 22 feature 4 front windows
Weight	48kg approx. (Size 14 Canvas (28kg) & Frame (20kg) Combined)
Frame	22/25mm Steel Frame fitted with Griplock Clamps Sizes 11-22 - 5 Roof Poles Sizes 14-22 - 5 Front Legs Sizes 20-22 - 2 Roof Raiser Poles

FEATURES INCLUDED

Half Screen Ventilation On Each Panel	Curtains
Techline Secure Buckles	Nylon Pegs & Peg Bag
Techline/YKK Zips	Frame Bag
Figure of 8	Ladder Bands
Draft Skirt & Wheel Arch Cover	Unilok Bracket Pads
Canvas Holdall Bag	

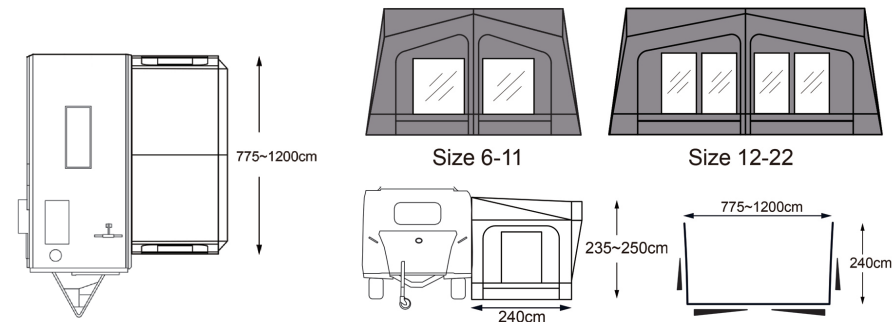
DIMENSIONS

SIZE 6 - 22

775 - 1200cm

240 cm (D)

SEASONAL



OPTIONAL EXTRAS

SL5055-F/F	Fibre Frame (Touring Only)	SL530	Storm Legs
SL500	Techline Secure Straps	IT018	Awning Inner Tent
SL580	Techline Secure Plus Strap	1093/1094/1095	Nova Lights
SL528	Protech Roof Raiser Pole	1098/1099/1100	Capella Motion Sensor Lights
SL527	Veranda Pole	1114/1115/1116	Estella Multipurpose Guyrope Lights
SL944-KB	Tall Annexe with Blinds		
IT091	Tall Annexe Inner Tent		
	Regal Carpet		
SL529-C	Roof Rafter Poles		
SL591/3V	Roof Liner		





Touring Awning



Griplock Clamp



Clima-Tech SR17/SR18



Unilok Pads



Techline Buckle



Caravan

CAYMAN



Our Cayman Awning is designed for touring use and offers excellent value for money.

The walls of our Cayman are produced in our Clima-Tech SR17 coated polyester, this material makes your awning easy to clean and highly durable. The roof material of our Cayman Touring Awning is produced in our Clima-Tech SR18 all-season coated polyester; this is a superior grade material which helps make the roof of your awning durable during your touring periods. Included with the frame will be Unilok pads to assist in fitting the frame to the side of your caravan.

This awning features roll back front panels which are great for an optional wide front door and the large windows are excellent for enjoying the view. Our Cayman Touring Awning is also supplied with curtains so you can create a private space during the day or in the evening.



SPECIFICATIONS

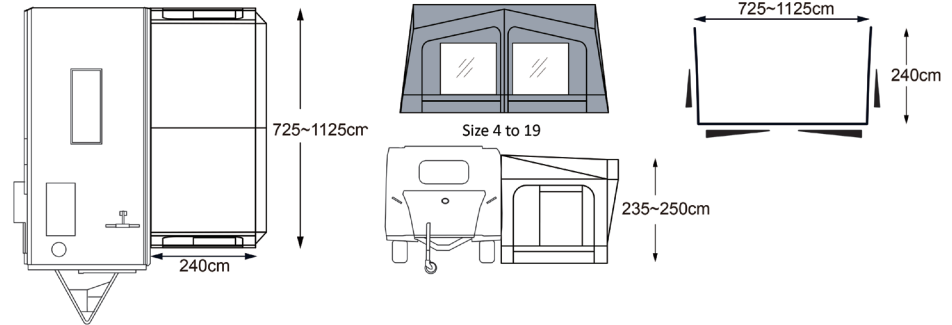
Size	Available in sizes 4 to 19
Depth	240 cm
Colour	Anthracite / Light Grey
Roof Material	Clima-Tech SR18 All-season Coated Polyester
Wall Material	Clima-Tech SR17 Coated Polyester
Weight	40kg approx. (Size 14 Canvas (22kg) & Frame (18kg) Combined)
Frame	22/25mm Steel Frame fitted with Griplock Clamps
	Sizes 4-10 - 3 Roof Poles
	Sizes 4-13 - 3 Leg Poles
	Sizes 11-19 - 5 Roof Poles
	Sizes 14-19 - 5 Front Legs

FEATURES INCLUDED

Half Screen Ventilation On One Side	Curtains
Techline Zips	Nylon Pegs & Peg Bag
Techline Secure Buckles	Storage Canvas & Frame Bags
Figure of 8	Ladder Bands
Draft Skirt & Wheel Arch Cover	Unilok Bracket Pads

DIMENSIONS

SIZE 4 - 19	725 - 1125cm	240 cm (D)	TOURING
-------------	--------------	------------	---------



OPTIONAL EXTRAS

SL5055-F/F	Fibre Frame (Touring Only)	SL530	Storm Legs
SL500	Techline Secure Straps	IT018	Awning Inner Tent
SL528	Protech Roof Raiser Pole	1093/1094/1095	Nova Lights
SL527	Veranda Pole	1098/1099/1100	Capella Motion Sensor Lights
SL944-P-TA	Tall Annexe	1114/1115/1116	Estella Multipurpose Guyrope Lights
IT091	Tall Annexe Inner Tent		
	Regal Carpet		
SL529-C	Roof Rafter Poles		
SL591/3V	Roof Liner		





Seasonal Awning



Valve System



Clima-Tech SR21



Single Inflation



Techline Buckle



Caravan



Air Pump

HAMPTON DL



The Hampton DL Air Seasonal Awning with a single main body inflation point and 3 deflation points.

Made from CampTech Clima-Tech premium SR21 material that offers the convenience and speed of an air awning while providing the space of a traditional awning, making the Hampton DL perfect for short and long-term use.

The Hampton DL also offers extra features such as panoramic windows with all round privacy blinds. The front can also be used as extra wide doors, or these can be made into veranda style. The sides have full mesh windows and offer the option to add the seasonal air annexe to create an extra bedroom or storage space.



SPECIFICATIONS

Size	Available in sizes 6 to 21
Depth	240 cm
Colour	Black / Light Grey
Weight	51kg approx. (size 16)
Roof Material	Clima-Tech SR21 All-season Coated Polyester
Wall Material	Clima-Tech SR21 All-season Coated Polyester
Front Layout	Sizes 6 to 14 have four front windows Sizes 15 to 21 have six front windows
Sizes 10 to 14	2 extra inflatable roof support beams 2 extra Techline vertical support poles
Sizes 15 to 21	4 extra inflatable roof support beams 4 extra Techline vertical support poles
Front Panels	All panels can be rolled down or zipped out
Side Panels	Both panels can be rolled down or zipped out
Curtains	All front & side windows are fitted with curtains

FEATURES INCLUDED

Single Inflation Point & Multiple Deflation Points	Draft Skirt
Techline Secure Buckles	Wheel Arch Cover
Full Flyscreen Fitted To Both Sides	Curtains
Outside Privacy Blinds	Nylon Pegs & Peg Bag
Techline Zips	Nylon Pegs & Peg Bag
Manual Air Pump	Canopy Poles
	Ladder Bands

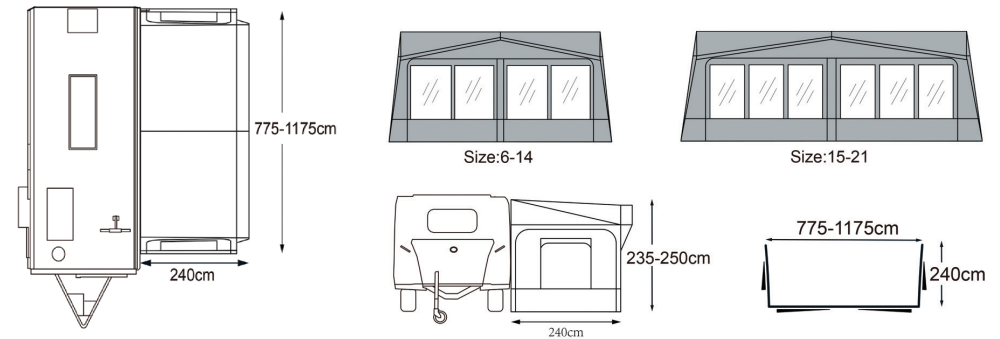
DIMENSIONS

SIZE 6 - 21

775 - 1175cm

240 cm (D)

SEASONAL



OPTIONAL EXTRAS

SL500	Techline Secure Straps	SL570-C	Alloy Vertical Poles
SL902	Hampton DL Tall Annexe	1055	Electric Air Pump
IT018	Awning Inner Tent	SL532	Alloy Veranda Bar
IT091	Annexe Inner Tent		Regal Carpet
SL591/SL593V	Roof Liner		
1093/1094/1095	Nova Lights		
1098/1099/1100	Capella Motion Sensor Lights		
1114/1115/1116	Estella Multipurpose Guyrope Lights		





Touring Awning



Valve System



Clima-Tech SR17/SR18



Single Inflation



Techline Buckle



Caravan



Air Pump

KENSINGTON



The Kensington Touring Air Awning is crafted from our Clima-Tech SR17 material, combining the traditional design and spaciousness of a poled awning with the ease and speed of an air awning.

The panoramic front windows can be rolled back to create extra-wide doors or used in a veranda style. With a single inflation point, setup is quick and straightforward, allowing you to spend more time relaxing and enjoying your holiday.

Multiple deflation points allow faster packing, with two zipped openings providing ventilation. Storm straps ensure stability in varying weather conditions. For added space, an optional annexee can be attached to either side of the awning, providing extra room or storage.



SPECIFICATIONS

Size	Available in sizes 6 to 21
Depth	240 cm
Colour	Black / Light Grey
Weight	45kg approx. (size 16)
Roof Material	Clima-Tech SR18 All-season Coated Polyester
Wall Material	Clima-Tech SR17 Coated Polyester
Front Layout	Sizes 6 to 14 have four front windows Sizes 15 to 21 have six front windows
Sizes 10 to 14	2 extra inflatable roof support beams 2 extra Techline vertical support poles
Sizes 15 to 21	4 extra inflatable roof support beams 4 extra Techline vertical support poles
Front Panels	All panels can be rolled down or zipped out
Side Panels	Both panels can be rolled down or zipped out
Curtains	All front & side windows are fitted with curtains

FEATURES INCLUDED

Single Inflation Point & Multiple Deflation Points	Wheel Arch Cover
Techline Secure Buckles	Curtains
A Half Mesh Window On One Side	Nylon Pegs & Peg Bag
Techline Zips	Canopy Poles
Draft Skirt	Manual Air Pump Included
	Ladder Bands

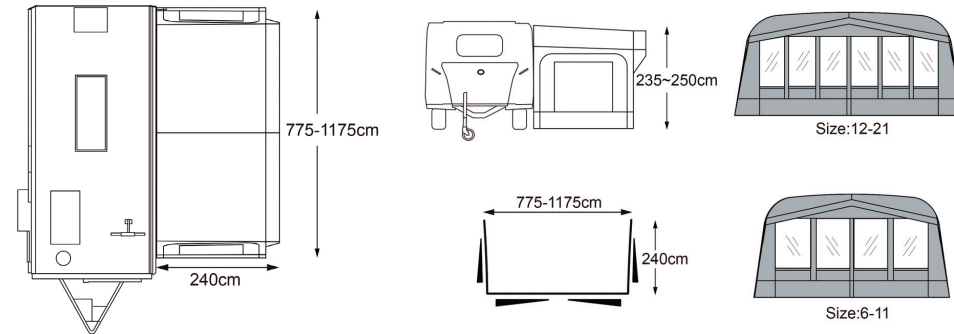
DIMENSIONS

SIZE 6 - 21

775 - 1175cm

240 cm (D)

TOURING



OPTIONAL EXTRAS

SL500	Techline Secure Straps	SL570-C	Alloy Vertical Poles
SL915II	Kensington Tall Annexee	1055	Electric Air Pump
IT018	Awning Inner Tent	SL532	Alloy Veranda Bar
IT091	Annexe Inner Tent		Regal Carpet
SL591/3V	Roof Liner		
1093/1094/1095	Nova Lights		
1098/1099/1100	Capella Motion Sensor Lights		
1114/1115/1116	Estella Multipurpose Guyrope Lights		





Seasonal Awning



Griplock Clamp



Clima-Tech SR18



Unilok Pads



Techline Buckle



Caravan

COUNT DL



The Count DL Porch Awning is crafted from Clima-Tech SR18 seasonal fabric, making it an ideal choice for year-round use.

This model features privacy blinds on the outside of all windows, making it suitable for both short and long-term stays while also shielding your windows from UV rays.

The spacious floor area of the Count DL enhances the open feel of your porch awning, and if you need extra room, there's an optional annexe that can be attached to either side.

Additionally, all three panels can be removed or zipped down to create a veranda style, ensuring that the Count DL meets every campers need.



SPECIFICATIONS

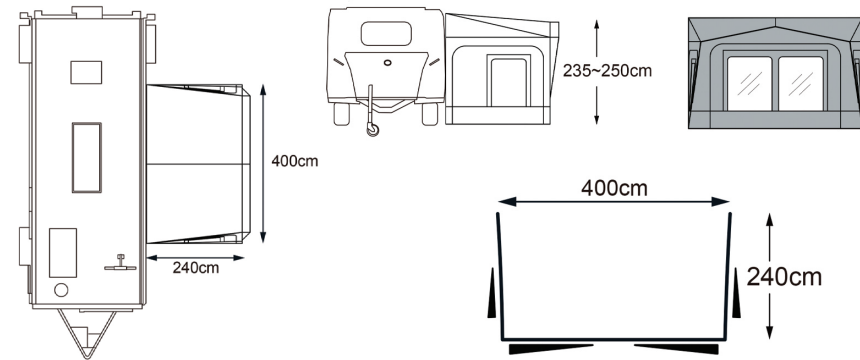
Size	Fits Caravans 235 to 255 cm
Depth	240 cm
Width	400 cm
Colour	Black / Light Grey
Roof Material	Clima-Tech SR18 All-season Coated Polyester
Wall Material	Clima-Tech SR18 All-season Coated Polyester
Kadar Length	440 cm
Weight	35 kg approx. (Canvas (23kg) & Frame (12kg) Combined)
Frame	22/25mm Steel Frame fitted with Griplock Clamps

DIMENSIONS

400cm (W)

240 cm (D)

SEASONAL



FEATURES INCLUDED

Techline Secure Buckles	Draft Skirt & Wheel Arch Cover
Techline/YKK Zips	Nylon Pegs & Peg Bag
Curtains	Canopy Poles
Flyscreen To Both Sides	Canvas Holdall Bag
Large Detachable Window On The Front	Ladder Bands
Rear Support Legs	Unilok Bracket Pads
A Half-Mesh Window On One Side	

OPTIONAL EXTRAS

SL500	Techline Secure Straps	1093/1094/1095	Nova Lights
SL901	Tall Annexe	1098/1099/1100	Capella Motion Sensor Lights
IT018	Awning Inner Tent	1114/1115/1116	Estella Multipurpose Guyrope Lights
IT091	Annexe Inner Tent	1106	Royal Cushioned Carpet
SL597V	Roof Liner	SL5055-F/F04-07	Fibre Frame (Touring Only)
1059/1022	Regal Carpet	(For SL5055-F/F the SL570-C Will Also Need To Be Ordered)	
SL527-A	Side Veranda Bar		

DUKE DL



The Duke DL Seasonal Air Porch Awning is made from SR18 Clima-Tech seasonal material.

Measuring a generous 400 cm width at the front and 240 cm depth for those long-sided stays. The Duke DL can be easily erected using our single inflation system. The awning features large windows to the front and side of the awning, which allows daylight throughout the entire awning. The Duke DL is also fitted with privacy blinds on the outside windows making this suitable for both short and long-term stays.

The front and side panels can be removed, and an additional annexe can be added to either side of the awning. This awning provides the perfect living space to sit back and relax.



SPECIFICATIONS

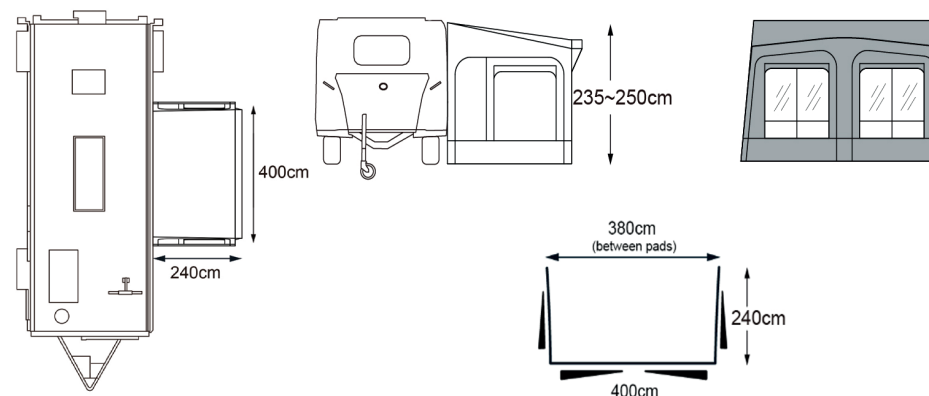
Size	Fits Caravans 235 to 255 cm
Depth	240 cm
Width	400 cm
Colour	Anthracite/Light Grey
Roof Material	Clima-Tech SR18 All-season Coated Polyester
Wall Material	Clima-Tech SR18 All-season Coated Polyester
Kadar Length	436 cm
Weight	38kgs approx.

DIMENSIONS

400cm (W)

240 cm (D)

SEASONAL



FEATURES INCLUDED

Single Inflation Point With Multiple Deflation Points	Techline Zips
Half Screen Ventilation On Each Side	Draft Skirt & Wheel Arch Cover
Techline Secure Buckles	Curtains
Privacy Blinds	Nylon Pegs & Peg Bag
Canvas Holdall Bag	Manual Air Pump
Repair Kit	Ladder Bands
	Attachment Points For An Inner Tent

OPTIONAL EXTRAS

SL500	Techline Secure Straps	1059/1022	Regal Carpet
SL915II	Inflatable Tall Annexe	1093/1094/1095	Nova Lights
IT091	Annexe Inner Tent	1098/1099/1100	Capella Motion Sensor Lights
SL532-A	Veranda Poles	1114/1115/1116	Estella Multipurpose Guyrope Lights
1055	Electric Air Pump	SL570-C	Alloy Vertical Poles
SL531	Roof Rafter Air Tube	1106	Royal Cushioned Carpet
SL5020	Packing Pads		
SL592V	Roof Liner		



Seasonal Awning



Valve System



Clima-Tech SR18



Single Inflation



Techline Buckle



Caravan



Air Pump



Seasonal Awning



Valve System



Clima-Tech SR17/SR18



Single Inflation



Techline Buckle



Caravan



Air Pump

COUNTLESS



The Countess Air Porch Awning is made from Clima-Tech SR17 fabric.

The Countess has a floor space of 340 cm by 240 cm making this ideal for weekend trips and short holiday stays.

The Countess features the option to remove the large detachable front window panel and side panels to create a canopy space. Also available for the Countess Air Porch Awning is the optional extra annexe, so you can choose to extend your space further if needed making the Countess suitable for all your touring needs.



SPECIFICATIONS

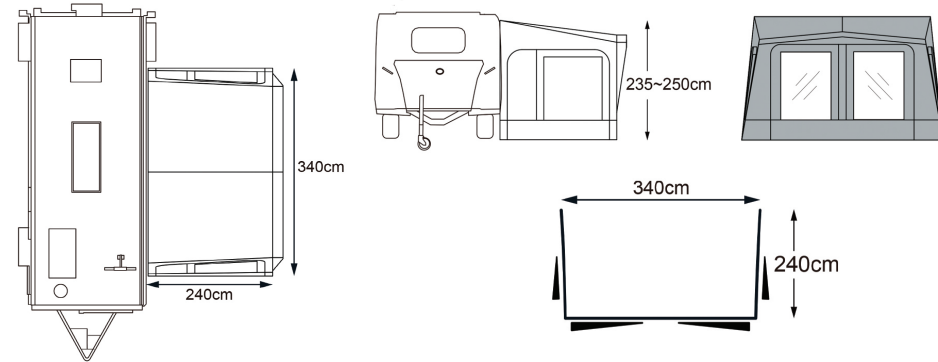
Size	Fits Caravans 235 to 255cm
Depth	240 cm
Width	340 cm
Colour	Black / Light Grey
Roof Material	Clima-Tech SR18 All-season Coated Polyester
Wall Material	Clima-Tech SR17 Coated Polyester
Kadar Length	380 cm
Weight	33kgs approx.

DIMENSIONS

340cm (W)

240 cm (D)

TOURING



FEATURES INCLUDED

Single Inflation Point And Multiple Deflation Points	Draft Skirt & Wheel Arch Cover
Techline Secure Strap Buckles	Curtains
Attachment Points For An Inner Tent	Peg Bag/Canopy Poles
A Half Mesh Window On One Side	Manual Air Pump
Techline Zips	Repair Kit
	Canvas Holdall Bag

OPTIONAL EXTRAS

SL500	Techline Secure Straps	1098/1099/1100	Capella Motion Sensor Lights
SL902	Tall Annexe	1114/1115/1116	Estella Multipurpose Guyrope Lights
1055	Electric Air Pump	1107	Royal Cushioned Carpet
IT091	Annexe Inner Tent		
SL570-C	Alloy Vertical Poles		
SL598V	Roof Liner		
1076	Regal Carpet		
1093/1094/1095	Nova Lights		

DUCESS



The Duchess Touring Porch Awning is produced in our Clima-Tech SR17 coated polyester material making this the perfect touring awning.

The Duchess has all the features of a traditional awning whilst also offering that spacious feeling with the large windows to the front and side of the awning, which allows daylight throughout the entire awning. The panels can be removed for those sunnier days. The Duchess comes fitted with one half fly screen to increase ventilation into your awning. Using the techline zips we can offer you the option to add an additional annexe to either side of the Duchess for those times you need more space. Each panel has a door that can be rolled back to allow access into the awning, making it suitable for all your family needs.

SPECIFICATIONS

Size	Fits Caravans 235 to 250cm
Depth	240 cm
Width	340cm
Colour	Anthracite/Light Grey
Roof Material	Clima-Tech SR18 All-season Coated Polyester
Wall Material	Clima-Tech SR17 Coated Polyester
Frame	22/25mm Steel Frame fitted with Griplock Clamps
Kadar Length	380cm
Weight	30kg approx. (Canvas (18.5kg) & Frame (11kg) Combined)

FEATURES INCLUDED

Half Screen Ventilation On One Side	Figure of 8
Unilok Pads	Draft Skirt & Wheel Arch Cover
Canvas Holdall Bag	Curtains
Techline Zips	Peg Bag

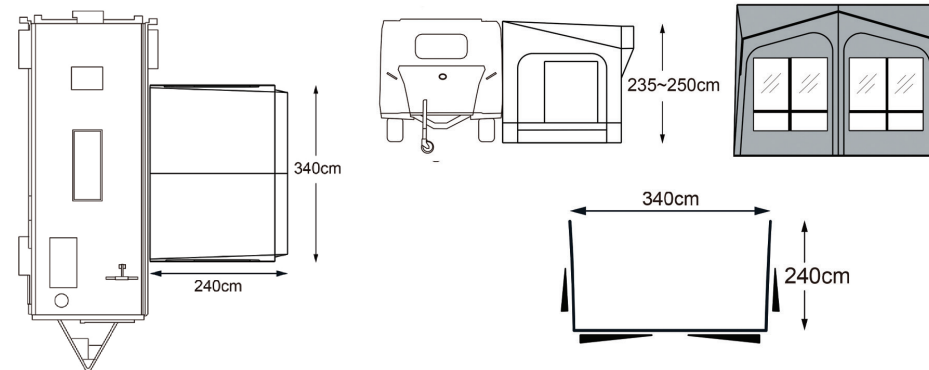


DIMENSIONS

340cm (W)

240 cm (D)

TOURING



OPTIONAL EXTRAS

SL500	Techline Secure Straps	1114/1115/1116	Estella Multipurpose Guyrope Lights
IT091	Tall Annexe Inner Tent	1107	Royal Cushioned Carpet
IT018	Awning Inner Tent	SL5055-F/F04-07	Fibre Frame
SL944-P-TA	Tall Annexe	SL598V	Roof Liner
SL570-C	Alloy Vertical Poles		
1076	Regal Carpet		
1093/1094/1095	Nova Lights		
1098/1099/1100	Capella Motion Sensor Lights		



Seasonal Awning



Griplock Clamp



Clima-Tech SR17/SR18



Unilok Pads



Techline Buckle



Caravan



Seasonal Awning



Griplock Clamp



Clima-Tech SR18



Unilok Pads



Techline Buckle



Caravan

PRINCE DL



The Prince DL is a versatile and robust addition to your awning needs, with a width of 260cm and a depth of 240 cm it offers ample space for various activities and storage needs.

The awning is designed to fit caravan heights between 235-250 cm. Constructed from Clima-Tech SR18 material for both the roof and walls, the anthracite and light grey colour scheme gives it a modern and stylish appearance. Included features enhance its functionality: detachable front panel and sides, a rear support pad. The Prince DL also has the option to extend the living space by adding an annexee, for privacy and convenience. It also comes with external privacy blinds. This Prince DL is designed to offer comfort and practicality, making it an excellent choice for your caravanning needs.



SPECIFICATIONS

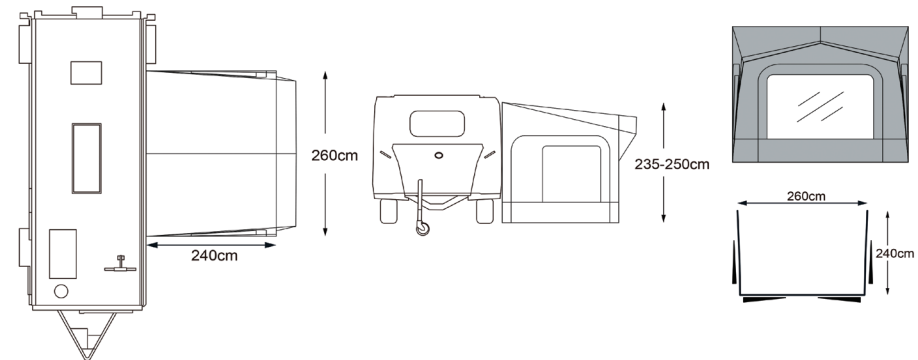
Width	260 cm
Depth	240 cm
Colour	Anthracite/Light Grey
Weight	29kg approx. (Canvas (20kg) & Frame (9kg) Combined)
Fits Caravan Heights	235-250 cm
Kadar Length	287 cm
Roof Material	Clima-Tech SR18 All-season Coated Polyester
Wall Material	Clima-Tech SR18 All-season Coated Polyester
Frame	22/25mm Steel Frame

DIMENSIONS

260cm (W)

240 cm (D)

SEASONAL



FEATURES INCLUDED

Half Flyscreen Ventilation On Two Sides	Draft Skirt / Wheel Arch Cover
Ventilation Above The Front Window	Peg And Ladder Bands
Techline Secure Strap Buckles	Canvas Holdall Bag
Techline/YKK Zips	External Privacy Blinds
Curtain Set	Unilok Pads/Griplock Clamps
Detachable Front Panel & Sides	Figure Of 8
Rear Support Pad	

OPTIONAL EXTRAS

SL500	Techline Secure Straps	1093/1094/1095	Nova Lights
SL570-C	Alloy Vertical Poles	1098/1099/1100	Capella Motion Sensor Lights
SL527A	Veranda Pole With Clamp (1.9-2.6M)	1114/1115/1116	Estella Multipurpose Guyrope Lights
SL944-KB	Tall Annexee With Blinds		
IT091	Tall Annexee Inner Tent		
1021	Regal Carpet		
1112	Royal Cushioned Carpet		





Seasonal Awning



Griplock Clamp



PVC Material



Unilok Pads



Techline Buckle



Caravan

PRINCESS DL



The Princess DL Winter Porch Awning is made to fit caravan heights ranging from 235 to 250 cm, making it a perfect addition for your outdoor adventures.

The Awning has a width of 200 cm and a depth of 240 cm, it offers ample space for relaxation and storage. Manufactured in a dark grey, light grey, and black PVC, this awning features a durable PVC roof and walls supported by a robust 25/28mm steel frame. Additional standard features such as a curtain set, detachable front panel, peg and ladder bands, and a canvas holdall bag enhance convenience and usability. For those seeking customization, optional extras are available. The Princess DL is designed with functionality and comfort in mind, making it an ideal choice for any caravan enthusiast all year round.



SPECIFICATIONS

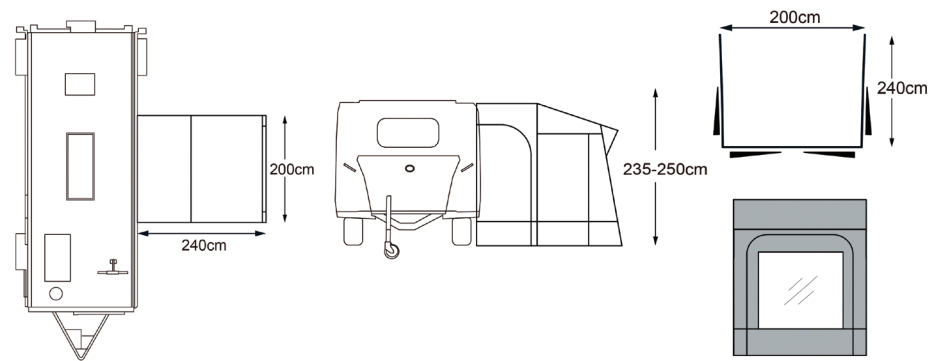
Width	200 cm
Depth	240 cm
Colour	Dark Grey/Light Grey/Black
Weight	35kg approx. (Canvas (23kg) & Frame (12kg) Combined)
Frame	11.80kgs
Fits Caravan Heights	235-250 cm
Kadar Length	215 cm
Roof Material	PVC
Wall Material	PVC
Frame	25/28mm Steel Frame

DIMENSIONS

200cm (W)

240 cm (D)

SEASONAL



FEATURES INCLUDED

Full Mesh Doors	Dual Draft Skirt
High Level Vents	Draft Skirt/Wheel Arch Cover
Techline Secure Strap Buckles	Peg and Ladder bands
Techline Zips	Canvas Holdall Bag
Curtain Set	External Privacy Blinds
Detachable Front Panel	Unilok Pads/Griplock Clamps
Dual Pitch Roof	Figure of 8
Rear Support Legs	

OPTIONAL EXTRAS

SL500	Techline Secure Straps	1101	Royal Cushioned Carpet
SL5088	Additional Winter Kit	1093/1094/1095	Nova Lights
SL527	Veranda Pole With Clamp (1.9-2.6M)	1098/1099/1100	Capella Motion Sensor Lights
1088	Regal Carpet	1114/1115/1116	Estella Multipurpose Guyrope Lights

STARLINE



The Starline Range stands out as one of the most adaptable options in its category.

Constructed from durable, high-quality Clima-Tech 210D fabric and featuring 4/6mm beading, this awning is suitable for both caravans and non-driveaway motorhomes. Its generous internal height creates a bright, open living space, enhancing overall comfort.

The front windows are versatile, doubling as extra-wide doors or opening out into a veranda-style configuration. Internal blinds are included for added privacy whenever required. Large access doors on both side panels make entry and exit easy.

The Starline connects securely to your vehicle using twin beading, designed to slide into your vehicle's awning channel (where applicable) or the channel on a wind-out canopy.



STARLINE 200

(SHOWN ON SWIFT BASECAMP)

SPECIFICATIONS

Size	Fits Caravans 235 to 250 cm
Width	200 Width (1 Front Window) 260/300 Width (2 Front Windows) 390 Width (3 Front Windows)
Depth	250 cm
Colour	Anthracite/Light Grey
Weight	17kgs approx. (Starline 260)
Material	Clima-Tech 210D

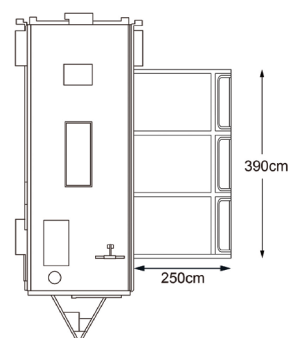
DIMENSIONS

200/260 (W)

300/390(W)

240 cm (D)

TOURING



Size:200



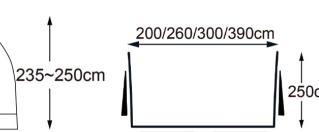
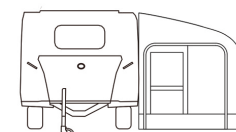
Size:260



Size:300



Size:390



FEATURES INCLUDED

Highly Visible Guy Ropes	Sewn In Rear Cushion Pads
Individual Inflation Points	Draft Skirt
Techline Secure Strap Buckles	Peg Bag
Attachment Points For An Inner Tent	Manual Pump
Large Flyscreen	Repair Kit

OPTIONAL EXTRAS

SL914IV	Starline Tall Annexe	1093/1094/1095	Nova Lights
IT093	Awning Inner Tent	1098/1099/1100	Capella Motion Sensor Lights
IT091	Tall Annexe Inner Tent	1114/1115/1116	Estella Multipurpose Guyrope Lights
SL570	Alloy Vertical Poles	Regal Carpet	For 200/260/300/390
SL517I	200 Veranda Bar	Royal Cushioned Carpet	For 200/260/300/390
SL517VB	260/390 Veranda Bar		
SL517C	300 Veranda Bar		
SL5001	Techline Secure Straps For Inflatable		
1055	Electric Air Pump		
SL5020	Packing Pads		



Touring Awning



Twin Beading



Clima-Tech 210D



Techline Buckle



Motorhome



Caravan



Air Pump



Touring Awning



Twin Beading



Clima-Tech SY17



Techline Buckle



Single Inflation



Caravan



Valve System



Air Pump

STARLINE ELITE



The Starline Elite is crafted from the robust Clima-Tech SY17 fabric, allowing for simple assembly through a single inflation point.

This model features dual beading, making it versatile for both caravans and non-driveaway motorhomes. With four size options available of 200, 260, 300, and 390cm all offering a depth of 250 cm, the Starline Elite maximizes your living space.

Furthermore, you can enhance your area with the optional Starline Infinity Pod, which can be attached to either the left or right side of the awning for additional living space. Alternatively, you can add an annexe to either side, making it perfect for weekend getaways and touring holidays.



STARLINE ELITE 390

SPECIFICATIONS

Size	Fits Caravans 235 to 255 cm Fits Motorhomes 235 to 250cm (Non Driveaway)
Width	200/260/300/390 cm
Depth	250 cm
Colour	Anthracite/Black/Light Grey
Material	Clima-Tech SY17
Kadar Length	Size 200 - 280 cm Size 260 - 330 cm Size 300 - 370 cm Size 390 - 460 cm
Weight	27kgs approx. (Starline Elite 300)

FEATURES INCLUDED

Large Flyscreens Fitted In Door Panel	Peg Bag
Attachment Points For An Inner Tent	Manual Pump
Sewn In Rear Cushioned Pads	Repair Kit
One Main Inflation Point	Canvas Holdall Bag
Dual Beading 4/6mm	Mesh Door To Both Sides
Draft Skirt	Heavy Webbing Straps
Curtains	Attachment Points For A Roof Liner

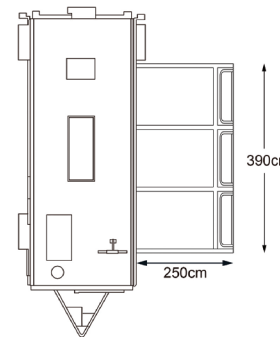
DIMENSIONS

200/260 (W)

300/390(W)

240 cm (D)

TOURING



Size:200



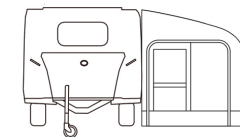
Size:260



Size:300



Size:390



OPTIONAL EXTRAS

SL918-L	Starline Elite Infinity Left	SL517-J	260/300/390 Alloy Veranda Bar
SL918-R	Starline Elite Infinity Right	SL517-K	200 Alloy Veranda Bar
IT101	Starline Elite Infinity Tent	1093/1094/1095	Nova Lights
SL917	Starline Elite Tall Annexe	1098/1099/1100	Capella Motion Sensor Lights
IT093	Awning Inner Tent	1114/1115/1116	Estella Multipurpose Guyrope Lights
IT091	Tall Annexe Inner Tent	SL5020	Packing Pads
SL594V	Roof Liner	Regal Carpet	For 200/260/300/390
SL517-I	200 Air Veranda Bar	Royal Cushioned Carpet	For 200/260/300/390
SL517-VB	260/390 Air Veranda Bar	SL5001	Techline Secure Straps For Inflatables
SL517-C	300 Air Veranda Bar	SL570-C	Alloy Vertical Poles



STARLINE ELITE 200



STARLINE ELITE 260



STARLINE ELITE 300 & OPTIONAL INFINITY POD



Touring Awning



Twin Beading



Clima-Tech SR17



Single Inflation



Motorhome



Air Pump

MOTO WINDSOR



The Moto Windsor Drive Away Awning is manufactured from Clima-Tech SR17 fabric ensuring the awning to be durable and easy-to-clean.

Inflation is from a single point whilst deflation is via multiple points making this driveaway simple to assemble. The Moto Windsor has an exceptional living area of 300cm by 240 cm, fitted with a tunnel with a door on either side and is suitable to fit Motorhomes from 235 to 300cm in height. Ventilation comes from the two full mesh side doors and the front apex of the awning. The awning has the option to remove the front and side panels to create a canopy space. Also available for the Moto Windsor is the optional annexe, which can be used to extend your living space further or create an extra sleeping area, making it perfect for your motorhoming needs.



SPECIFICATIONS

Fits Motorhomes	235-300 cm
Tunnel Depth	90 cm
Width	300 cm
Depth	330cm (Including Tunnel)
Colour	Black/Light Grey
Weight	48kg approx.
Kadar Length	380 cm

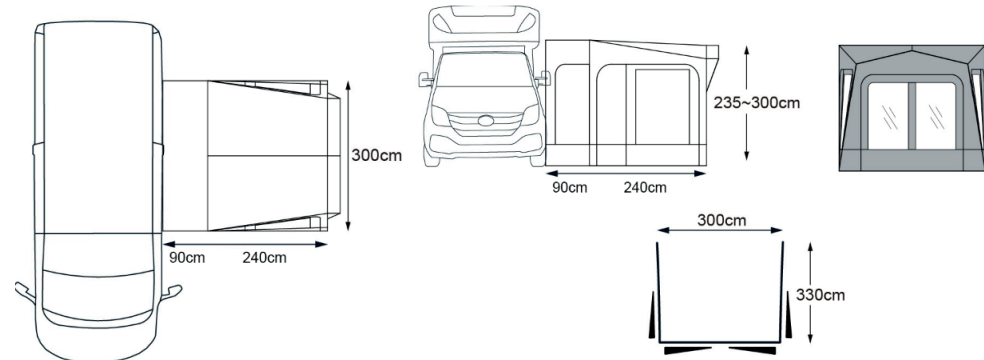
DIMENSIONS

DRIVEAWAY

300cm (W)

240 cm (D)

TOURING



FEATURES INCLUDED

Front And Back Straps	Curtains
Dual Beading 4/6mm Fitted To The Tunnel	Manual Pump
2 Doors In Tunnel	Canvas Holdall Bag
Single Inflation Point	Repair Kit
Multiple Deflation Points	Attachment Points For An Inner Tent And Roof Liner
Half Vent Window To One Side	

OPTIONAL EXTRAS

SL5058	Driveaway Adaptor Kit	1098/1099/1100	Capella Motion Sensor Lights
IT098	Moto Windsor Inner Tent	1114/1115/1116	Estella Multipurpose Guyrope Lights
SL906	Moto Windsor Annexe	1109	Royal Cushioned Carpet
IT099	Moto Windsor Annexe Inner Tent		
SL600V	Moto Windsor Roof Liner		
1055	Electric Air Pump		
1093/1094/1095	Nova Lights		

MOTO CROWN ELITE



The Moto Crown Elite driveway motorhome air awning measures 3 metres in width and 3 metres in depth.

Constructed from high quality Clima-Tech SY17 material, the Moto Crown Elite offers an outstanding internal living space. The back tunnel comes in three height options to fit most campervans and motorhomes, featuring doors on both sides for convenient access to your vehicle.

This awning boasts a single inflation point with roof beams for enhanced stability and includes half mesh windows on both sides. With doors and large windows on all sides, along with a zipped groundsheet as standard. Additionally, the canopy above the door provides protection from the elements, while the flyscreen on the side panel ensures proper air circulation throughout the awning.

SPECIFICATIONS

Tunnel	Low: 180-210 cm Medium: 210-255 cm High: 255-300 cm
Tunnel Depth	90 cm
Width	300 cm
Depth	390cm (Including Tunnel)
Floor Area	300 x 300 cm
Colour	Dark Grey / Light Grey
Kadar Length	281 cm
Weight	35kgs approx. (Moto Crown Elite Medium).

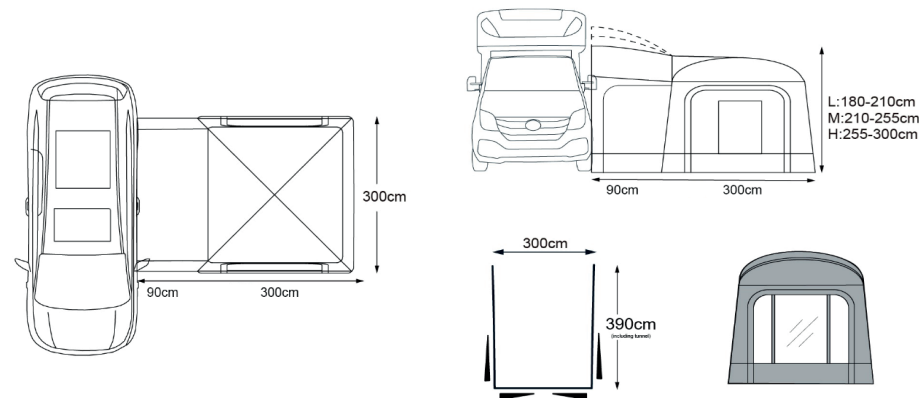
FEATURES INCLUDED

Highly Visible Guy Ropes	Fitted With 4/6mm Dual Beading
Guyline Attachment For Securing To The Van	Peg Bag
Privacy Blinds	Manual Pump
Velcro/Zip Groundsheet	Front Window Canopy
Single Inflation Point	Repair Kit
Attachment Points For An Inner Tent	Canvas Holdall Bag



DIMENSIONS

DRIVEAWAY	300cm (W)	300cm (D)	TOURING
-----------	-----------	-----------	---------



OPTIONAL EXTRAS

SL5001	Techline Secure Straps For Inflatable	1076	Regal Carpet
ITO96	Moto Crown Elite Inner Tent	1108	Royal Cushioned Carpet
SL5058	Driveway Adaptor Kit	1093/1094/1095	Nova Lights
SL907	Moto Crown Elite Annexe	1098/1099/1100	Capella Motion Sensor Lights
1055	Electric Air Pump	1114/1115/1116	Estella Multipurpose Guyrope Lights
ITO97	Moto Crown Elite Annexe Inner Tent		
SL599V	Moto Crown Elite Roof Liner		
SL5099	Moto Crown Elite Side Mesh		



Touring Awning



Twin Beading



Clima-Tech SY17



Single Inflation



Motorhome



Air Pump



Touring Awning



Twin Beading



Clima-Tech 210D



Single Inflation



Motorhome



Air Pump

MOTO CROWN



The Moto Crown is a driveaway motorhome air awning that measures 3 metres in width and 3 metres in depth, offering an impressive internal living space.

It features a back tunnel available in three height options, making it suitable for most campervans and motorhomes, along with a convenient door for easy access to your vehicle. The canopy above the door provides protection from the elements, while a vent just below ensures proper air circulation. Internal blinds offer privacy when desired. The Moto Crown includes a standard groundsheet, and the sides can be removed to create a gazebo effect, with the option to add an annexee. Constructed from high quality Clima-Tech 210D material and featuring a single inflation point, the Moto Crown caters to all your holiday requirements.



SPECIFICATIONS

Tunnel	Low: 180-210 cm Medium: 210-255 cm High: 255-300 cm
Tunnel Depth	90 cm
Width	300 cm
Depth	390cm (Including Tunnel)
Floor Area	300x300 cm
Colour	Dark Grey/Light Grey
Weight	20kgs approx. (Moto Crown Medium)
Kadar Length	302 cm

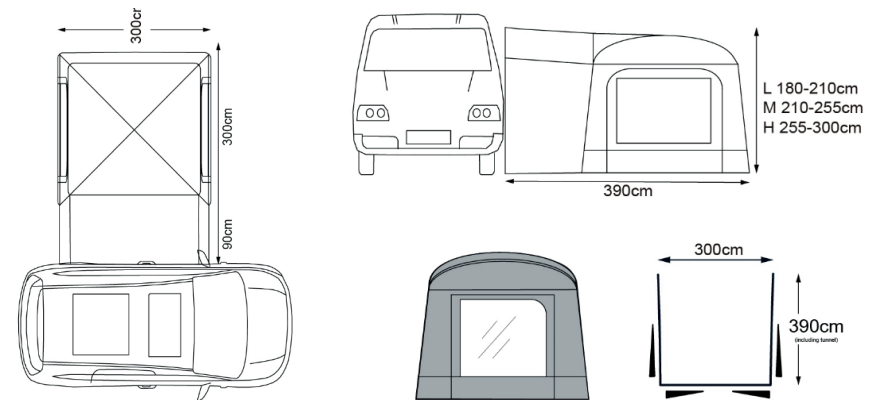
DIMENSIONS

DRIVEAWAY

300cm (W)

300cm (D)

TOURING



FEATURES INCLUDED

Highly Visible Guy Ropes	Fitted With 4/6mm Dual Beading
Guyline Attachment For Securing To The Van	Peg Bag
Privacy Blinds	Manual Pump
Flyscreen	Front Window Canopy
Single Inflation Point	Repair Kit
Attachment Points For An Inner Tent	Canvas Holdall Bag

OPTIONAL EXTRAS

SL5001	Techline Secure Straps For Inflatable	1093/1094/1095	Nova Lights
1055	Electric Air Pump	1098/1099/1100	Capella Motion Sensor Lights
SL5058	Driveaway Adaptor Kit	1114/1115/1116	Estella Multipurpose Guyrope Lights
SL5026	Groundsheet	1108	Royal Cushioned Carpet
SL916	Moto Crown Standard Annexee		
IT094	Moto Crown Standard Annexee Inner Tent		
SL905	Moto Crown Tall Annexee		
IT100	Moto Crown Tall Annexee Inner Tent		

MOTO MONARCH



The Moto Monarch is available in 2 heights to fit most vehicles. These are available in Low 180-210cm & Medium 210-235cm

The Moto Monarch is a driveway awning designed for Motorhomes and Campervans. Crafted from 190T Polyester, it combines lightweight properties with durability. This awning comes in three height options to accommodate most vehicles. Featuring three spacious windows and two vents, it creates a bright and airy atmosphere while also including internal privacy blinds for moments when privacy is needed. The large back tunnel is equipped with two side doors for easier access to your vehicle. It is perfect for all your holiday requirements.

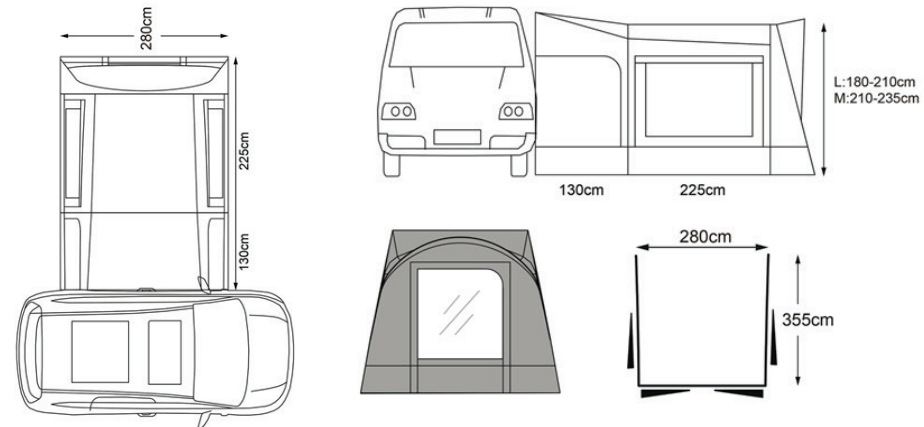


SPECIFICATIONS

Tunnel	Low: 180-210 cm Medium: 210-235 cm
Tunnel Depth	130 cm
Width	280 cm
Depth	355cm (Including Tunnel)
Floor Area	280x225 cm
Colour	Dark Grey/Light Grey
Weight	19kgs approx. (Moto Monarch Low)
Kadar Length	225 cm

DIMENSIONS

DRIVEAWAY	225cm (W)	280cm (D)	TOURING
-----------	-----------	-----------	---------



FEATURES INCLUDED

Highly Visible Guy Ropes	Attachment Points For An Inner Tent
Guyline Attachment For Securing To Van	Peg Bag
External Privacy Blinds	Manual Pump
Flyscreen	Front Window Canopy
Individual Inflation Points	Repair Kit
Fitted With 4/6mm Dual Beading	Canvas Holdall Bag

OPTIONAL EXTRAS

SL5001	Techline Secure Straps For Inflatable
SL5058	Driveway Adaptor Kit
IT092	Awning Inner Tent
1055	Electric Air Pump
SL5021	Moto Monarch Groundsheet
1093/1094/1095	Nova Lights

1098/1099/1100	Capella Motion Sensor Lights
1114/1115/1116	Estella Multipurpose Guyrope Lights



Touring Awning



Twin Beading



Clima-Tech 190T



Techline Buckle



Motorhome



Air Pump



Touring Awning



Twin Beading



Clima-Tech 210D



Techline Buckle



Motorhome



Air Pump

MOTO CANTERBURY



The Moto Canterbury is a side-on driveway motorhome awning designed for flexibility and comfort on the road.

With a generous 500cm width and 300cm depth, it provides ample living space and suits motorhomes or campervans with heights from 180cm to 300cm.

With the addition of a zipped-on tunnel with 4/6mm dual beading for compatibility with various vehicles available in three height ranges, Low (180-210cm), Medium (210-255cm), and High (255-300cm) it ensures a secure fit for a wide range of vehicles.

Made from durable Clima-Tech 210D fabric, the awning is built to withstand the elements, while air beams and alloy poles offer a stable structure and straightforward setup.

SPECIFICATIONS

Width	500 cm
Depth	300 cm
Tunnel Depth	90 cm
Kadar Length	265 cm
Colour	Light Grey/Dark Grey/Black
Weight	30kg approx. (Not Including Optional Tunnels)
Material	Clima-Tech 210D
Frame	Air / Alloy Poles

OPTIONAL TUNNELS

SL9201-TL	Optional Tunnel Size 180-210 cm
SL9201-TM	Optional Tunnel Size 210-255 cm
SL9201-TH	Optional Tunnel Size 255-300 cm

FEATURES INCLUDED

Individual Inflation Points	Detachable Back Panel
2 Half Flyscreen Ventilation Points To The Tunnel	Canvas Holdall Bag / Pegs & Ladders
One Flyscreen Ventilation On Centre Panel	Internal Privacy Blinds
Zipped Low Level Ventilation On both sides	Sewn In Groundsheet In The Main Body
Highly Visible Guy Ropes	The Front Panel Can Be Removed And Used On The Front Canopy
Interchangeable Detachable Front And Middle Panel	Velcro Straps To Secure Legs In Place
	Anti Water Pocket On The Tunnel



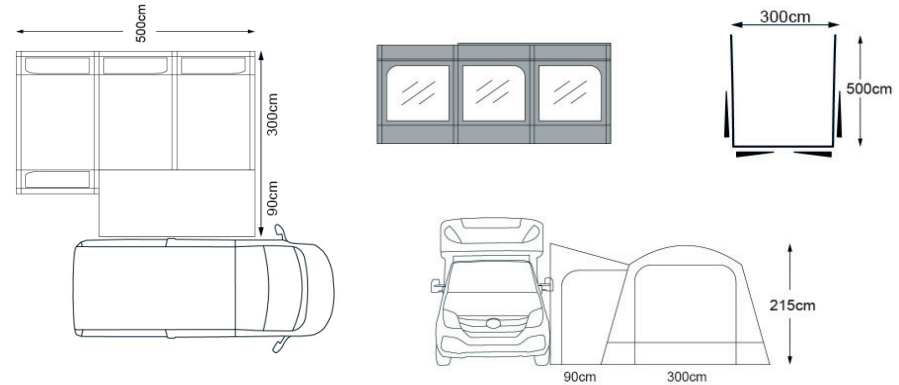
DIMENSIONS

DRIVEAWAY

500cm (W)

300cm (D)

TOURING



OPTIONAL EXTRAS

SL9002	Tall Annexe
SL5058	Driveway Adaptor Kit
IT091	Tall Annexe Inner Tent
IT102	Inner Tent For The Main Body Of Awning
SL601V	Roof Liner
SL9201-TL	Optional Tunnel Size 180-210

SL9201-TM	Optional Tunnel Size 210-255
SL9201-TH	Optional Tunnel Size 255-300
SL5001	Techline Secure Straps For Inflatable
1093/1094/1095	Nova Lights
1098/1099/1100	Capella Motion Sensor Lights
1114/1115/1116	Estella Multipurpose Guyrope Lights

MOTO GALA



The Moto Gala motorhome and campervan awning/canopy is designed to bring comfort and versatility to your outdoor adventures.

With a spacious width of 350cm and a depth of 240 cm, this awning/canopy provides ample space for relaxation and activities. Available in Anthracite, Black, and Light Grey, fitting vehicles between 180-210cm in height, with dual beading for enhanced usability it easily compliments any campervan aesthetic.

Constructed from durable Clima-Tech SY17 material coming as standard with two sides having PVC windows that roll back exposing mesh behind and with internal blinds and supported by a combination of air and alloy poles, this awning/canopy ensures stability and longevity.

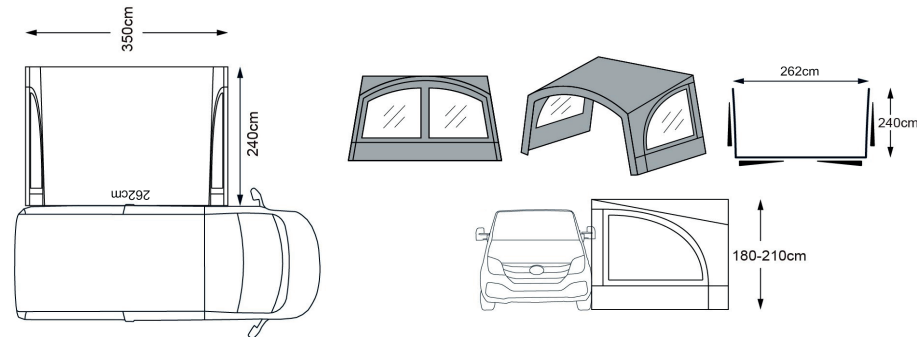


SPECIFICATIONS

Width	(along the front at ground level) 350 cm
Depth	240 cm
Colour	Anthracite/Black/Light Grey
Kadar Length	262 cm
Fits Campervan	180-210 cm
Weight	19kgs approx.
Material	Clima-Tech SY17
Frame	Air / Alloy Poles

DIMENSIONS

DRIVEAWAY	350cm (W)	240 cm (D)	TOURING
-----------	-----------	------------	---------



FEATURES INCLUDED

The Middle Alloy Pole Is As Standard	Side Walls With Window & Internal Blinds
Fitted With 4/6mm Dual Beading	Side Panels Can Be Zipped Out To Leave
Front Zip PVC Window Can Be Rolled To The Middle To Create A Door	The Awning Roof As A Sun Canopy
Full Mesh Window To Both Sides	Carry Bag
Front And Side Panels Are Removable	Pegs & Ladders
	Manual Pump Included

OPTIONAL EXTRAS

SL5048-F	Front Panel	1093/1094/1095	Nova Lights
SL5085	Side Alloy Poles X 2pcs	1098/1099/1100	Capella Motion Sensor Lights
SL5001	Techline Secure Straps For Inflatable	1114/1115/1116	Estella Multipurpose Guyrope Lights



Touring Awning



Clima-Tech SY17



Motorhome



Air Pump



Touring Awning



Twin Beading



Clima-Tech 190T



Motorhome



Air Pump

MOTO TUDOR



The Moto Tudor drive away awning suitable for both Barndoor & Tailgate door fittings. Designed to fit Go Pods seamlessly.

The Moto Tudor offers quick assembly via the single inflation point. The living area of 250 by 250cm can be accessed via the front doors which also incorporates a ventilated mesh panel window and internal privacy screen with the option of taking all three side panels out creating a gazebo effect.

The Moto Tudor is fitted with a 150cm tunnel that offers a height range of 160cm-210cm and also features a side door. The Moto Tudor is made from Clima-Tech 190T material and comes with dual beading fitment as standard to the tunnel. The Moto Tudor will cover all your mobile living needs.



SPECIFICATIONS

Tunnel	Low: 160-210 cm
Tunnel Depth	150 cm
Width	250 cm
Depth	400 cm (Including Tunnel)
Floor Area	250x250 cm
Colour	Dark Grey/Light Grey
Weight	18kg approx.
Door Fittings	Barndoor & Tailgate
Kadar Length	193 cm

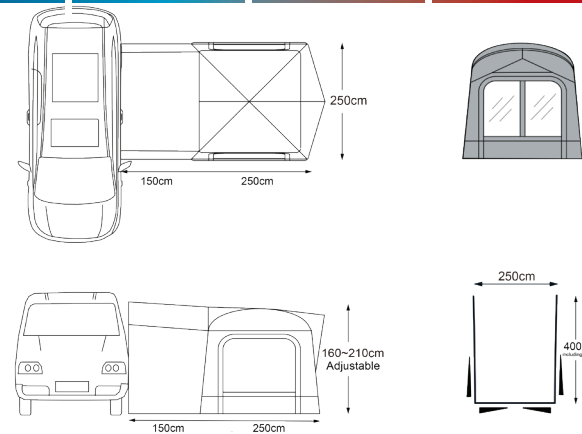
DIMENSIONS

DRIVEAWAY

250cm (W)

250cm (D)

TOURING



FEATURES INCLUDED

Highly Visible Guy Ropes
 Guyline Attachment For Securing To Van
 Internal Privacy Blinds
 Mesh & A Blind Located On Front Door
 Individual Inflation Points
 Fitted With 4/6mm Dual Beading

Attachment Points For An Inner Tent
 Peg Bag
 Manual Pump
 Both Sides & Front Are Detachable
 Rear Door Able To Open Either From The Left Or Right & Roll Back To One Side
 Repair Kit

OPTIONAL EXTRAS

SL5001 Techline Secure Straps For Inflatable
 SL522-B Driveaway Kit Adaptor
 1055 Electric Air Pump
 SL903 Moto Tudor Annexe
 1093/1094/1095 Nova Lights

1098/1099/1100 Capella Motion Sensor Lights
 1114/1115/1116 Estella Multipurpose Guyrope Lights

MOTO KINGSTON



The Moto Kingston is a driveaway motorhome air awning measuring 3m wide and has an overall depth of 2.8m including the tunnel.

It has an excellent internal living area. The back tunnel is available in 2 heights to accommodate campervans and motorhomes. The Moto Kingston has a door in the side of the tunnel for easy access into your vehicle.

The internal blinds enable privacy when needed. Made from quality Clima-Tech 190T material and features multiple inflation points, the Moto Kingston covers all your holiday needs.

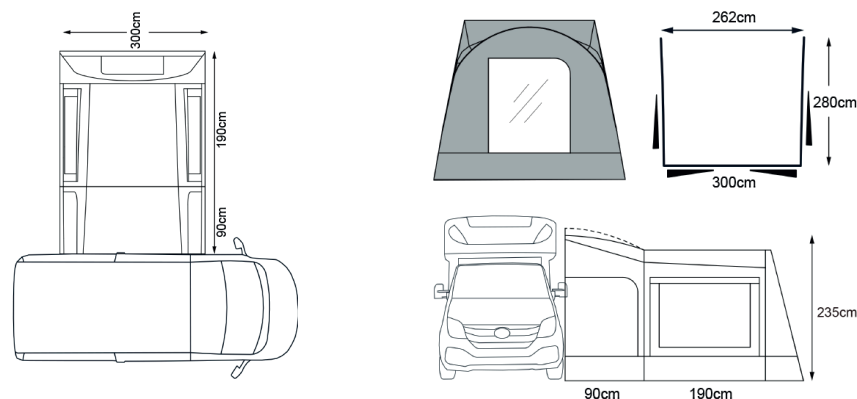


SPECIFICATIONS

Tunnel	Low: 180-210 cm High: 235-295 cm
Tunnel Depth	90 cm
Width	300 cm
Depth	280cm (Including Tunnel)
Floor Area	300x190 cm
Colour	Dark Grey/Light Grey
Weight	14kg approx. (Moto Kingston Low)
Kadar Length	262 cm

DIMENSIONS

DRIVEAWAY 190cm (W) 300cm (D) TOURING



FEATURES INCLUDED

Highly Visible Guy Ropes	Groundsheet
Guyline Attachment For Securing To Van	Peg Bag
Internal Privacy Blind	Manual Pump
Large Flyscreen	Ventilation Panel To The Side
Individual Inflation Points	Repair Kit
Fitted With 4/6mm Dual Beading	Canvas Holdall Bag

OPTIONAL EXTRAS

SL5001	Techline Secure Straps For Inflatable	1114/1115/1116	Estella Multipurpose Guyrope Lights
1055	Electric Air Pump	1110	Royal Cushioned Carpet
SL5058	Driveaway Adaptor Kit		
1093/1094/1095	Nova Lights		
1098/1099/1100	Capella Motion Sensor Lights		



Touring Awning



Twin Beading



Clima-Tech 190T



Techline Buckle



Motorhome



Air Pump



Touring Awning



Clima-Tech SY17 Ivy Elite



Clima-Tech 210D Ivy



Caravan



Air Pump

IVY / IVY ELITE



The Innovative Ivy Air Roll Out Awning is manufactured in Clima-Tech SY17 (Ivy Elite) or Clima-Tech 210D fabric (Ivy).

The Ivy/Ivy Elite Air is available in two widths with a front measurement of 300 or 350cm by 250cm depth helping create the ideal shade space.

The Ivy/Ivy Elite Air is supplied with side walls and front walls making this a versatile canopy come living space.

The canopy can be simply stored away into the attached PVC bag that can be left on the caravan whilst in transit.

SPECIFICATIONS

Height	Fits Caravans 235 to 250 cm
Width (At the front)	300/350 cm
Depth	250 cm
Colour	Black/Light Grey
Weight	23kg approx. (Ivy Elite 350)
Kadar Length (At the back)	Ivy/Ivy Elite - 300-275 cm Ivy/Ivy Elite - 350-295 cm

FEATURES INCLUDED

Roof And Front Leg Supports	Individual Inflation Points
Carry Bag	6mm Beading
Zip In Sides & Front	Manual Pump
Door Mesh	Awning Rail Stops
Heavy Webbing Straps	Ladders & Pegs

OPTIONAL EXTRAS

SL5001	Techline Secure Straps For Inflatable
1055	Electric Air Pump
	Royal Cushioned Carpet
1093/1094/1095	Nova Lights
1098/1099/1100	Capella Motion Sensor Lights
1114/1115/1116	Estella Multipurpose Guyrope Lights





@THECARAVANNINGMUMMY

SUSSEX



The Sussex Sunshade is available in four widths 240/300/360/400cm by 240 cm deep.

This is made from all-season polyester together with the steel upright poles it is ideal for those sunnier days when shade is needed.

SPECIFICATIONS

Canopy Material	100% Polyester
Size	240/300/360/400 Width x 240 cm Depth
Pole	Steel 19/22 mm
Weight	6.15kgs approx
Dual Beading	4/6mm Fitted
Kadar Length	Size 240 - 252 cm
	Size 300 - 312 cm
	Size 360 - 372 cm
	Size 400 - 412 cm



HASTINGS



The Hastings Air Sunshade is available in two widths 350/450 by 240 cm deep creating a perfect canopy shade for those sunnier days.

This sunshade is easily erected with the single inflation air beam and made from quality Clima-Tech SY17 material with optional side panels for that added protection from wind or to create privacy.

SPECIFICATIONS

Canopy Material	100% Polyester
Size	350/450 Width (at the front) x 240 cm Depth
Pole	Airframe - 10 cm
Weight	12kgs approx
Dual Beading	4/6 mm Fitted To The Tunnel
Kadar Length	Size 350 - 319 cm
	Size 450 - 422 cm

FEATURES INCLUDED | OPTIONAL EXTRAS

Single Point Inflation & Pump Included **SL5047-S** Additional Side Walls
Pegs, Guylines & Carrybag



SIDE PANELS SHOWN IN IMAGE ARE AN OPTIONAL EXTRA

ASCOT



The Ascot Utility Tent/Storage Shelter offers the ideal portable solution for all your culinary and storage requirements.

You can easily set it up to accommodate your kitchen supplies and equipment. This versatile tent also provides additional storage space or can transform into a cozy area for relaxation.

Constructed from durable PVC fabric, the Ascot is weather resistant and features a living space measuring 210cm in width and 190cm in depth. For optimal airflow, the Ascot includes an apex vent at the front, along with two large mesh windows on either side, ensuring ample ventilation inside. Additionally, there's a larger PVC window at the rear for even more light.



SPECIFICATIONS

Width	210 cm
Depth	190 cm
Floor Area	210 x 190 cm
Colour	Dark Grey/Light Grey/Blue
Weight	28kg approx. (Canvas & Frame Combined)
Material	PVC
Frame	25 mm Steel

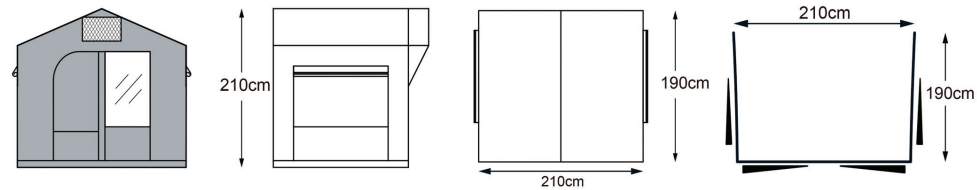
DIMENSIONS

PVC

210 cm (W)

190cm (D)

TOURING



FEATURES INCLUDED

- Front Zip PVC Window.
- Full Mesh Window To Two Side Panels
- Rear Walls With Window & Internal Blinds
- Carry Bag
- Pegs & Ladders

OPTIONAL EXTRAS

- SL5001 Techline Secure Straps For Storage Tent
- 1093/1094/1095 Nova Lights
- 1098/1099/1100 Capella Motion Sensor Lights

- 1114/1115/1116 Estella Multipurpose Guyrope Lights
- 1101 Royal Cushioned Carpet



PVC Material



Techline Buckle

CARNIVAL WINDBREAK



Quick and easy to set up, the Carnival Windbreak gives you ample protection from the wind, whilst providing a little bit of privacy.

Produced in our Clima-Tech 300D fire retardant coated polyester these windbreaks will stand the tests of time.

There are 2 models to choose from, the Carnival Windbreak Lux, which features 4 panels all with tinted windows and roll down blinds and the Carnival Windbreak Standard, which features 4 panels with 2 of the middle panels having tinted windows with no blinds.

Both Windbreaks measure 460x130cm and have a colour combination of Light Grey/Dark Grey.

They include a set of 19mm zinc plated poles and are complete with pegs and guy lines.

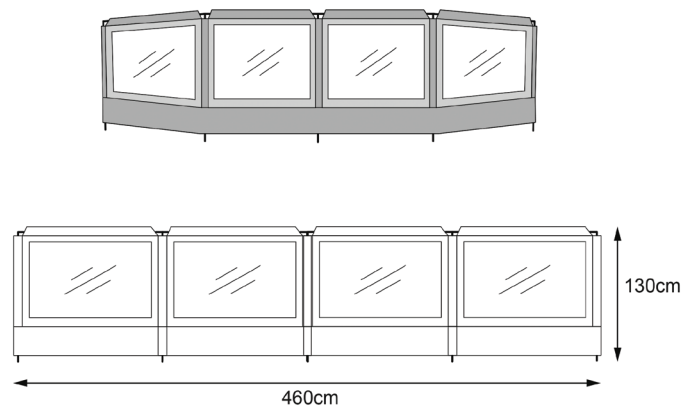


SL521-A CARNIVAL WINDBREAK STANDARD

OPTIONAL EXTRAS

SL5057

Windbreak Footplate



SL521-B CARNIVAL WINDBREAK LUX

BOSWORTH AIR WINDBREAK



The Bosworth Air Windbreak is made from quality 210D material supplied with three panels.

Each panel has its own inflation point and is 140cm high x 165cm wide with a window at the top giving you both privacy and a view. To aid stability there are straps both sides at the top and bottom, it also has 3 pegging points on each panel. Each panel is hinged with a zip so you can configure the windbreak whichever way you require. An additional caravan adaptor kit can be bought to attach the Bosworth Windbreak directly to the caravan.

Additional panels can also be purchased and attached as an optional extra to suit your needs.



SPECIFICATIONS

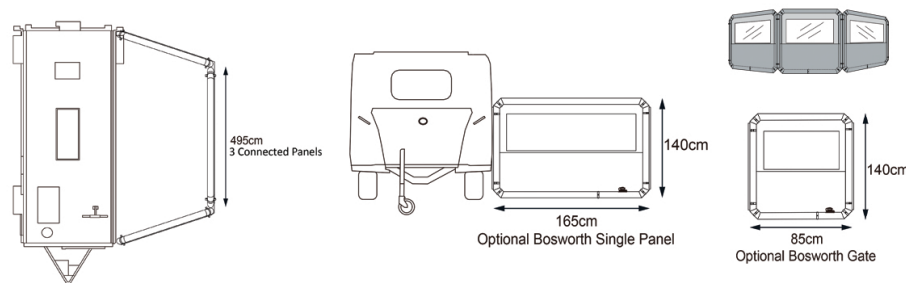
Single Panel Sizes	165 cm Wide 140 cm High
Material	210D Polyester
Colour	Black/Light Grey
Weight	3kg approx (Single Panel)

FEATURES INCLUDED

Single Inflation Points	Guy Lines
PVC Window Panels	Zip Attachment
Three Panels	

OPTIONAL EXTRAS

SL5028	Caravan Adaptor Kit
SL521-E	Bosworth Single Panel
SL521-G	Bosworth Gate
SL-AD-HVP	Air Pump
1055	Electric Air Pump



Clima-Tech 210D



Air Pump



Touring Awning



Clima-Tech 210D



Air Pump

QUEENSLAND



The Queensland rooftop car tent designed for the adventurous traveller seeking comfort and convenience on the go.

With a spacious width of 140cm and a depth of 220cm, it provides ample room for a restful night's sleep under the stars. Constructed from durable 210D material and supported by air and fibre rods, it offers a robust yet lightweight structure.

The aluminium telescopic ladder ensures easy access, while the integrated air mattress and mesh windows to all sides provide comfort and ventilation. The single-point inflation air frame simplifies setup, and the included 12V pump makes inflating the Queensland a breeze. Optional extras include a roof liner and for those chillier adventures a thermo liner. Compatible with most cars fitted with roof racks, The Queensland is a versatile choice for any vehicle. This rooftop tent is the perfect solution for those seeking an elevated camping experience with all the comforts of home.

SPECIFICATIONS

Width	140 cm
Depth	220 cm
Colour	Black/ Light Grey
Weight	59kg approx. (Roof Top Tent (36kg) & Roof Platform (23kg) Combined)
Material	210D
Frame	Air Frame / Fibre Canopy Rods

FEATURES INCLUDED

Flyscreens	Aluminium Telescopic Ladder (2.3m)
Travel Canvas Cover	Can Be Mounted On Most Cars With Installed Racks
Single Point Inflation Air Frame	
Mesh Windows	
200x120x10cm Polyester Air Mattress	
12 V Pump Included	
Logo Printed Travel Cover	



ALUMINIUM TELESCOPIC LADDER & BOTTOM PLATE FOR QUEENSLAND INCLUDED

OPTIONAL EXTRAS

SL602V	Roof Liner	1114/1115/1116	Estella Multipurpose Guyrope Lights
SL5205	Thermo liner		
1093/1094/1095	Nova Lights		
1098/1099/1100	Capella Motion Sensor Lights		





Clima-Tech 210D



Air Pump

ADELAIDE



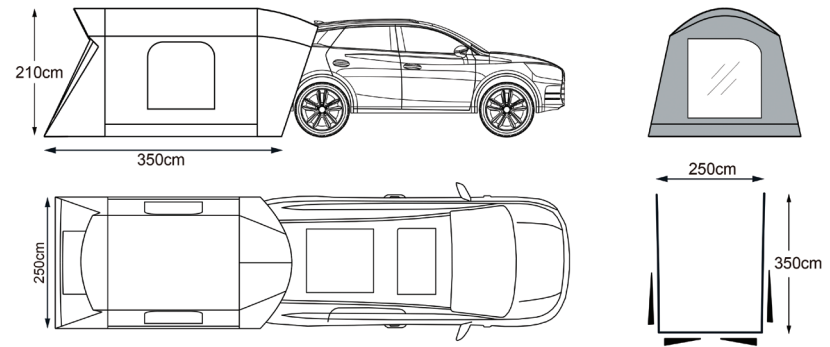
The Adelaide Rear Car Tent is designed for comfort and convenience.

Boasting a generous width of 250cm and depth of 350cm, this tent offers ample space for a comfortable camping experience.

Designed to fit your typical family car, the Adelaide comes with a multitude of adjustable velcro straps, guy ropes, pegging points, a bungee to go under the vehicle wheel arch and two canopies that go over the car, all to give the best possible fit for your vehicle. The front of the Adelaide has a door with a large window with an internal blind and a canopy above making sure to cover you on those wet mornings. The interior is equipped with inner storage pockets and internal privacy blinds, ensuring your belongings are organized and you have the privacy you need. The tent also features Techline zips for smooth operation, sewn-in groundsheet for added protection, and fold-flat door entry points for convenience. Canopy poles, pegs, and a manual air pump are also included. There is also the option to add a tall annex to extend the living area or create additional sleeping space making this tent a comprehensive package for your outdoor adventures.



DIMENSIONS	250cm (W)	350cm (D)	TOURING
-------------------	------------------	------------------	----------------



SPECIFICATIONS

Width	250 cm
Depth	350 cm
Tunnel	100cm+
Colour	Dark Grey
Weight	15kgs (approx.)
Material	210D

FEATURES INCLUDED

Inner Storage Bag	Internal Privacy Blinds
Individual Inflation Points	Sewn In Groundsheet Main Body
Full Flyscreen Ventilation On Each Side	Fold Flat Door Entry Points
Highly Visible Guy Ropes	Canopy Poles Included
Techline Zips	Pegs
Canvas Holdall Bag	Manual Air Pump

OPTIONAL EXTRAS

SL908	Adelaide Tall Annexe	1093/1094/1095	Nova Lights
IT103	Adelaide Tall Annexe Inner Tent	1098/1099/1100	Capella Motion Sensor Light



IMAGE SHOWS OPTIONAL
SL908 ADELAIDE TALL ANNEXE



Touring Awning



Twin Beading



Clima-Tech 210D



Air Pump

MAJESTIC



The Majestic awning/canopy is expertly designed to fit Eriba and Barefoot caravans perfectly.

With a width of 350cm, depth of 240 cm and kadar length of 262 cm, it provides ample space for relaxation and activities.

The Majestic fits vehicles between 180–210 cm in height and features dual beading for enhanced usability, complementing any Eriba aesthetic. Constructed from durable SY17 material, the awning comes with two side panels featuring mesh, zipped PVC windows that can be rolled back and internal blinds, and a front panel with an internal blind. Supported by a combination of air and alloy poles, it ensures stability, durability, and long-lasting performance.

SPECIFICATIONS

Width (At the front)	350 cm
Depth	240 cm
Kadar Length (At the back)	262 cm
Colour	Anthracite/Light Grey/Black
Weight	30kg approx
Material	Clima-Tech SY17
Frame	Air / Alloy Poles

FEATURES INCLUDED

Dual beading	Manual air pump
Centre and side alloy bars	Rear pads
Front zip PVC window can be rolled to the middle to create a door	Heavy webbing straps
Full mesh panel to the side	Peg and ladder bag
Front and side panels are removeable	Carry bag
Side walls with internal blinds	



SHOWN ON ERIBA



SHOWN ON BAREFOOT

OPTIONAL EXTRAS

	Royal cushioned carpet
	Regal carpet
SL5020	Tech Pads
1093/1094/1095	Nova lights
1098/1099/1100	Capella Motion Sensor Lights
1114/1115/1116	Estella Multipurpose Guyrope Lights

ARCHDUKE DL



The Archduke is a robust and versatile addition for your outdoor adventures, designed to fit perfectly to Knaus Sport & Fun models.

With a generous floor width of 435cm and a depth of 240 cm, this awning provides ample space for shelter and comfort. Its stylish anthracite and light grey colour scheme ensure it looks as good as it functions. Constructed from high-quality Clima-Tech SR18 material for both the roof and walls, the canopy offers excellent protection from the elements. Features such as a half flyscreen ventilation system on one side, techline secure strap buckles, and premium YKK/Techline zips contribute to its functionality and ease of use. The inclusion of a curtain set, detachable front panel and sides, and a rear support pad adds to its versatility, allowing for customized configurations. This canopy is the perfect solution for enhancing your camping experience with the Knaus Sport & Fun, combining practicality, durability, and style.



SPECIFICATIONS

Fits	Knaus Sport & Fun
Floor Width	435 cm
Depth	240 cm
Colour	Anthracite/Light Grey
Weight	Weight 39kg approx. (Canvas (25kg) & Frame (14kg) Combined)
Roof Material	Clima-Tech SR18 All-season Coated Polyester
Wall Material	Clima-Tech SR18 All-season Coated Polyester

FEATURES INCLUDED

Techline Secure Strap Buckles	Rear Support Pad
Nylon Zip	Draft Skirt / Wheel Arch Cover
Curtain Set	Peg & Ladder Bands
Detachable Front Panel & Sides	Canvas Holdall Bag / Frame

OPTIONAL EXTRAS

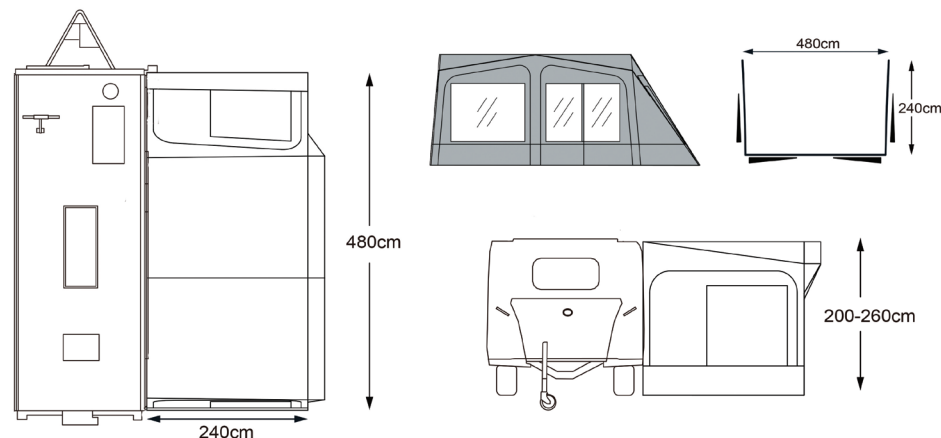
SL9003	Archduke DL Tall Annexe
IT091	Tall Annexe Inner Tent
SL500	Techline Secure Straps
11093/1094/1095	Nova Lights
1098/1099/1100	Capella Motion Sensor Light
1114/1115/1116	Estella Multipurpose Guyrope Lights

DIMENSIONS

480cm (W)

240 cm (D)

SEASONAL



Seasonal Awning



Griplock Clamp



Clima-Tech SR18



Unilok Pads



Techline Buckle



Knaus Sport & Fun

ANNEXES & INNER TENTS

Most of our awnings can be paired with an additional annexe and inner tent, designed to perfectly complement your awning.

These additions are ideal for expanding your space, creating a comfortable sleeping area, or providing extra storage while using your awning.



SL908 Adelaide Tall Annexe
W:195cm x D:195cm
IT103 Adelaide Tall Annexe Inner Tent



SL901 Count DL Tall Annexe
W:200cm x D:175cm
IT091 Tall Annexe Inner Tent



SL902 Hampton DL & Countess Tall Annexe
W:180cm x D:200cm
IT091 Tall Annexe Inner Tent



SL903 Moto Tudor Annexe
W:160cm x D:220cm
No Inner Tent Available



SL916 Moto Crown Standard Annexe
W:160cm x D:220cm
IT094 Moto Crown Standard Annexe Inner Tent



SL906 Moto Windsor Tall Annexe
W:215cm x D:200cm
IT099 Moto Windsor Annexe Inner Tent



SL907 Moto Crown Elite Annexe
W:230cm x D:160cm
IT097 Moto Crown Elite Annexe Inner Tent



SL917 Starline Elite & Viscount Annexe
 W:180cm x D:210cm
 IT091 Tall Annexe Inner Tent



SL917 Starline Elite Infinity (Left & Right Hand)
 W:190cm x D:240 cm
 IT101 Starline Elite Infinity Room Inner Tent



SL944-KB Tall Annexe With Blinds
 W:180cm x D:200cm
 IT091 Tall Annexe Inner Tent



SL944-P-TA Tall Annexe For Cayman & Duchess
 W:180cm x D:200cm
 IT091 Tall Annexe Inner Tent



SL9001 Westminster CS Tall Annexe
 W:200cm x D:170cm
 IT091 Tall Annexe Inner Tent



SL914IV Starline Tall Annexe
 W:180cm x D:200cm
 IT091 Tall Annexe Inner Tent



SL915II Kensington & Duke DL Annexe
 W:180cm x D:200cm
 IT091 Tall Annexe Inner Tent



SL905 Moto Crown Tall Annexe
 W:180cm x D:200cm
 No Inner Tent Available

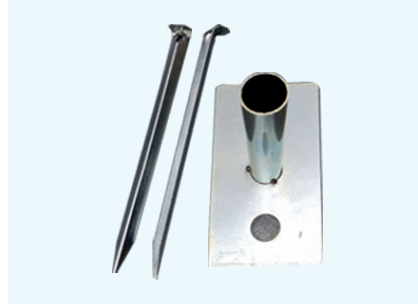


SL9002 Moto Canterbury Tall Annexe
 W:180cm x D:210cm
 IT091 Tall Annexe Inner Tent

ACCESSORIES



HARD ROCK STEEL PEGS
20pcs - Orange
ITEM NO. 1002



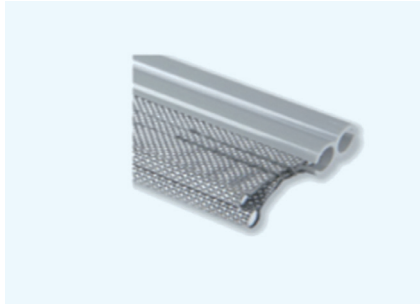
WINDBREAK FOOTPLATE
ITEM NO. SL5057



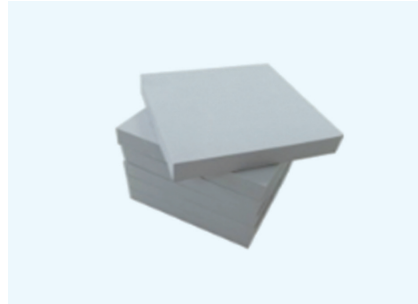
INFLATABLE DRAUGHT EXCLUDER
ITEM NO. SL5203-220 - (220 x 30cm)
ITEM NO. SL5203-270 - (270 x 30cm)



AWNING RAIL PROTECTOR
ITEM NO. 1013 - 12m Roll
*Colour/Style May Vary



MOTO TWIN DRIVE AWAY FIXING KIT
ITEM NO. SL5058



TECH PADS
ITEM NO. SL5020



RUBBER MALLET
ITEM NO. 1000 - Wooden Handle 16Qz
ITEM NO. 1001 - Steel Handle 16Qz



UNILOK BRACKET PAD
ITEM NO. SL539B - Unilok Bracket Pad (x1)
ITEM NO. SL539 - Unilok Bracket Pads (x3)



TENT PEG PULLER
ITEM NO. 1005



MANUAL AIR PUMP
ITEM NO. SL-AD-HVP



ELECTRIC AIR PUMP
ITEM NO. 1055



GRIPLOCK CLAMP
ITEM NO. SL569B - Griplock Clamp x 1
ITEM NO. SL569 - Griplock Clamp x 3



NOVA SET OF 4 HANGING LIGHTS
 ITEM NO. 1093 - Rose Gold
 ITEM NO. 1094 - Black
 ITEM NO. 1095 - Silver



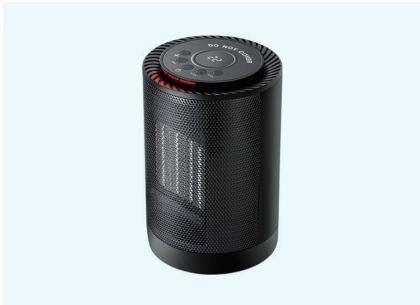
CAPELLA MOTION SENSOR LIGHTS
 ITEM NO. 1098 - 3 Pack
 ITEM NO. 1099 - 2 Pack
 ITEM NO. 1100 - 1 Pack



ESTELLA GUY ROPE LIGHTS
 ITEM NO. 1114 - Orange
 ITEM NO. 1115 - Green
 ITEM NO. 1116 - White



LUNA 2-in-1 FAN & LIGHT
 ITEM NO. 1053 - 8.7 x 6.9 inches
 Power: 4 x 1.5v Batteries (C)



LYRA ELECTRIC FAN HEATER
 ITEM NO. 1087



VICTORIA MELAMINE 16PCS DINNER SET
 ITEM NO. 1015



ASHFORD MELAMINE 16PCS DINNER SET
 ITEM NO. 1117



NEXO MUG
 32oz/900ml Thermal Mug with 180° Rotating Handle
 ITEM NO. 1118 - Black
 ITEM NO. 1119 - White
 ITEM NO. 1120 - Pink



ODYSSEY SELF INFLATING SLEEPING PAD
 ITEM NO. 1121 (Light Blue/Dark Blue)
 ITEM NO. 1122 (Light Grey/Dark Grey)



IMPERIAL SLEEPING BAG
 ITEM NO. 1085 - King Size
 ITEM NO. 1086 - Super King Size



REGAL CARPET

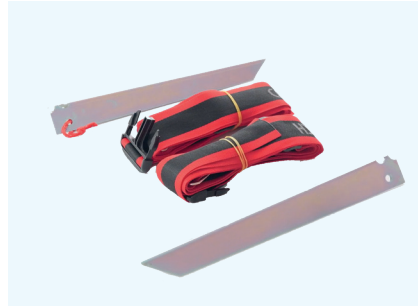


ROYAL CUSHIONED CARPET

ACCESSORIES



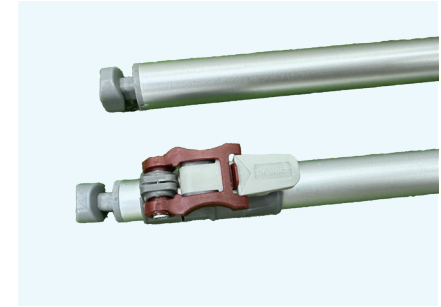
TECHLINE SECURE STRAP SET
ITEM NO. SL5001 - For Inflatables



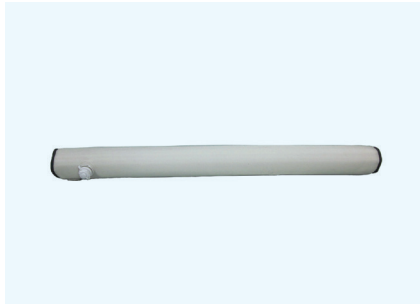
TECHLINE SECURE STRAPS
ITEM NO. SL500



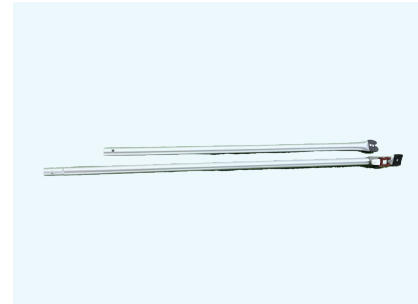
TECHLINE SECURE CENTRE STRAP
ITEM NO. SL580



ALLOY VERANDA BARS FOR STARLINE ELITE
ITEM NO. SL517-J- Starline Elite 260/300/390
ITEM NO. SL517-K- Starline Elite 200



AIR VERANDA BARS FOR STARLINE
ITEM NO. SL517-C - Starline/Starline Elite 300
ITEM NO. SL517-I - Starline/Starline Elite 200
ITEM NO. SL517-VB - Starline/Starline Elite 260/390



ALLOY VERANDA POLE FOR KENSINGTON & HAMPTON DL
ITEM NO. SL532A - Size 6-9 & Duke
ITEM NO. SL532B - Size 10-13
ITEM NO. SL532C - Size 14-17
ITEM NO. SL532D - Size 18-22



INFLATABLE VERANDA BARS FOR VISCOUNT 400
ITEM NO. SL517-F - Front Veranda Bar
ITEM NO. SL517-G - Side Front Veranda Bar



PROTECH ROOF RAISER BAR
ITEM NO. SL528A - Size 14-16
ITEM NO. SL528B - Size 17-19
ITEM NO. SL528C - Size 20-22
ITEM NO. SL528D - Size 11-13



ROOF RAFTER FOR FULL AWNING
ITEM NO. SL529-C - Including Buckingham
ITEM NO. SL529-D - 25/28mm



STORM LEG POLES
ITEM NO. SL530



ALLOY VERTICAL POLES
ITEM NO. SL570-C



VERANDA POLE WITH CLAMP
ITEM NO. SL527-A: 1.9m to 2.6m (size 8-13)
ITEM NO. SL527-B: 2.5m to 3.75m (size 14-19)



UPGRADED ALLOY VERANDA POLE FOR KENSINGTON & HAMPTON DL

ITEM NO. SL532E - Size 6-9 (and Duke)
 ITEM NO. SL532F - Size 10-13
 ITEM NO. SL532G - Size 14-17
 ITEM NO. SL532H - 18-22



INNER TENT FOR Annexe/AWNING

AVAILABLE FOR MOST MODELS
 *Colour/Style May Vary



ROOF LINER

AVAILABLE FOR MOST MODELS
 *Colour/Style May Vary



CAMPTECH AWNINGS CARRY BAG

ITEM NO. SL5019

JOIN THE CAMPTECH CLUB

ALREADY A CAMPTECH CUSTOMER AND WANT TO JOIN THE CAMPTECH CLUB?

If you've purchased one of our selected awnings, you can join the Camptech Club today and receive an additional 12 months' warranty* at no extra cost.

Members of the Camptech Club will enjoy exclusive newsletters featuring updates, special competitions and giveaways.

SIGN UP TODAY AT WWW.CAMPTECH.COM/CAMPTECH-CLUB

* For the first 12 months, your warranty is handled by the dealer from whom the item was purchased. After this period, your registered extended warranty will be administered directly by Camptech.

For full terms and conditions, please visit our website.

MEET OUR AMBASSADORS



RACHEL WITEK

INSTAGRAM: @THECARAVANNINGMUMMY
 FACEBOOK: THE CARAVANNING MUMMY
 TIKTOK: THECARAVANNINGMUMMY
 YOUTUBE: THE CARAVANNING MUMMY



HANNAH HEY

INSTAGRAM: @THETINYCARAVANNER
 FACEBOOK: THE TINY CARAVANNER
 TIKTOK: THETINYCARAVANNER



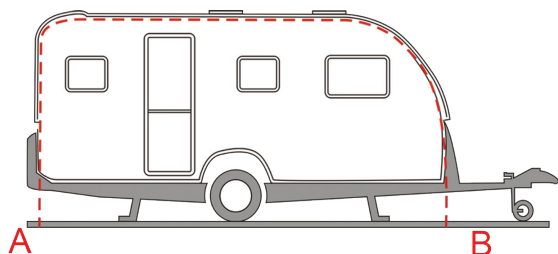
VICTORIA & ISAAC WALSH

INSTAGRAM: @CARAVANNING_WITH_THE_WALSHS
 TIKTOK: CARAVANNINGWITHTHEWALSHS



NATASHA & LUKE SPACIE

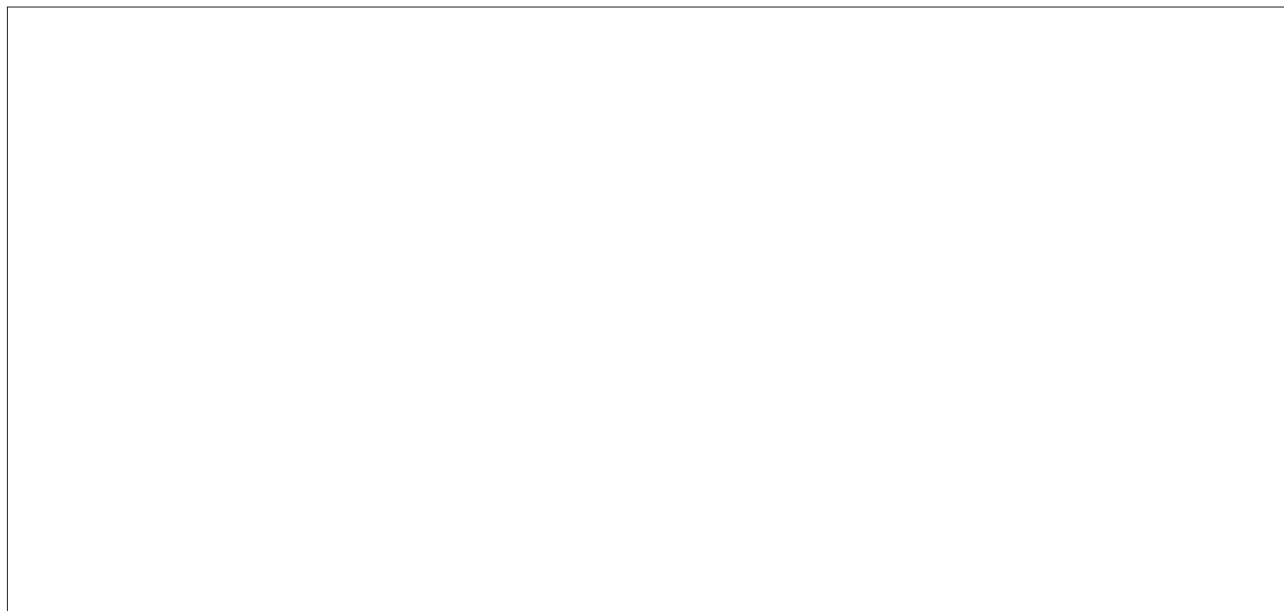
INSTAGRAM: @THESPACIEADVENTURES
 FACEBOOK: THE SPACIE ADVENTURES



When choosing your awning it is vital that you know the size (A measurement) of your caravan.

Measure your caravan from point A to point B in cm as shown in the picture. The measurement from ground to ground is the "A" measurement that can then be checked with the size chart to identify which awning size will fit your caravan.

NOTE: ALL MEASUREMENTS SHOWN BELOW ARE IN CENTIMETRES



SIZE	4	5	6	7	8	9	10	11	12	13	14	15	16	17	18	19	20	21	22
A - Measurement	725-750	750-775	775-800	800-825	825-850	850-875	875-900	900-925	925-950	950-975	975-1000	1000-1025	1025-1050	1050-1075	1075-1100	1100-1125	1125-1150	1150-1175	1175-1200



Camptech Products Limited
 Unit 36-37
 Stretford Motorway Estate
 Barton Dock Road
 Stretford
 Manchester
 M32 0ZH

info@camptech.com

[www.facebook.com](https://www.facebook.com/camptechproductsltd) - camptechproductsltd

[www.instagram.com](https://www.instagram.com/camptechproducts) - camptechproducts

[www.x.com](https://www.x.com/camptechproduct) - camptechproduct

[www.threads.net](https://www.threads.net/camptechproducts) - camptechproducts

[www.youtube.com](https://www.youtube.com/camptechproductslimited) - camptechproductslimited



www.camptech.com